

PROPRIETARY RIGHTS. This document discloses subject matter in which Wintriss Controls Group has proprietary rights. Neither receipt nor possession thereof confers or transfers any right to reproduce or disclose the document, any part thereof, any information contained therein or any physical article or device, or to practice any method or process, except by written permission or written agreement with Wintriss Controls Group.

AUXILIARY OUTPUT FUNCTIONS:

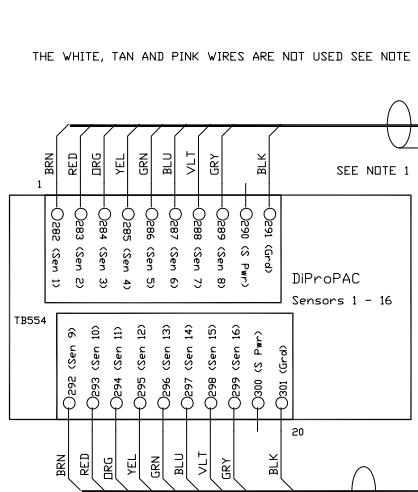
- Aux 1 output (TB553/1) - Turns on when Dipro sensors are disabled.
Turns off when sensors enabled in auto enable by tool
Turns off when the last sensor enables in auto enable by sensor
- Aux 2 output (TB553/2) - Turns on when estop relays are open
If a connected module has a fault
If the WPC has a red fault message displayed
- Aux 3 output (TB553/3) - Turns on when top stop relay is open
If a connected module has a status message displayed
If the WPC has a yellow status message displayed
- Aux 4 output (TB553/4) - Turns on when a dialog error number is present.
Error code >= 221 and <=252.

REVISIONS			
REV	DESCRIPTION	DATE	APP'D

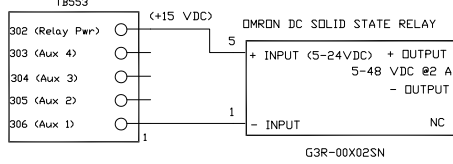
NOTE 1: CONNECT THE SHIELD TO THE ENCLOSURE CLOSE TO THE CONDUIT ENTRY POINT.

NOTE 2: CUT THESE WIRES OFF CLOSE TO THE END OF THE CABLE JACKET.

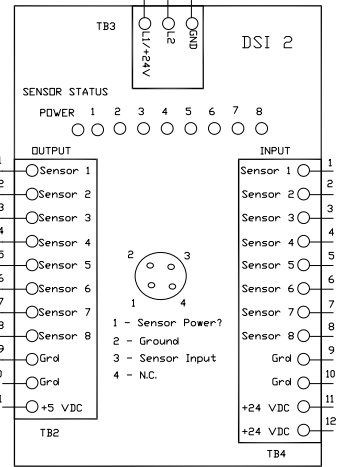
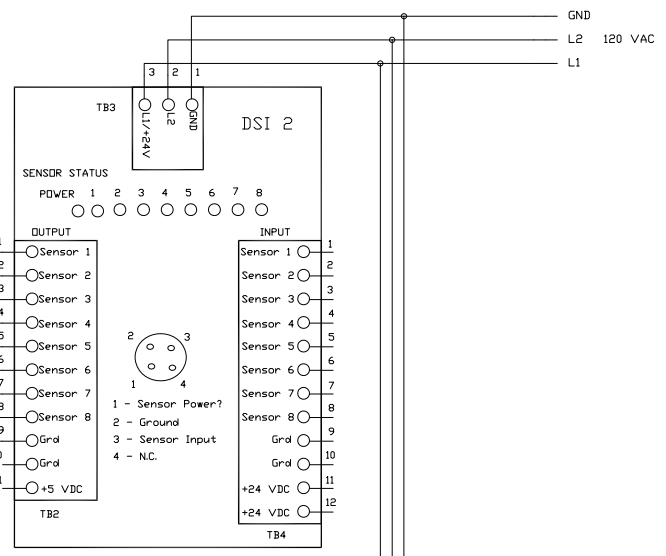
THE WHITE, TAN AND PINK WIRES ARE NOT USED SEE NOTE 2.



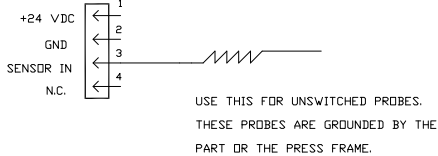
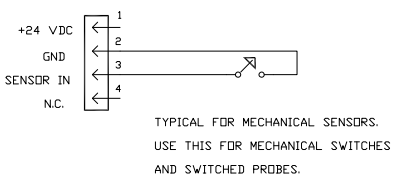
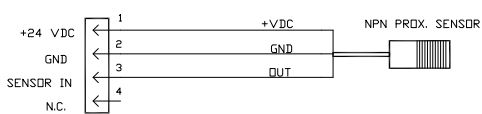
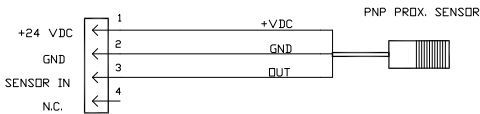
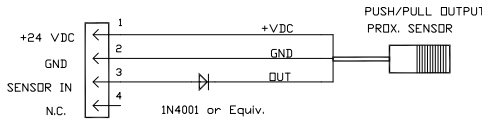
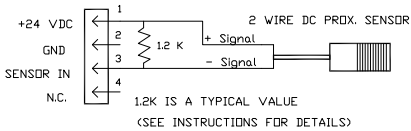
EXAMPLE OF CUSTOMER SUPPLIED SOLID STATE RELAY CONNECTION.



ALL OUTPUTS ARE OPEN COLLECTOR TYPE AND CAN SINK 10 MA TO GROUND.



WARNING: WHEN USING MULTIPLE DSI 2 UNITS, DO NOT CONNECT THE 24 VDC OUTPUTS FROM THE UNITS TOGETHER.



DRAWN	ADB	DATE	6/26/13	WINTRISS CONTROLS GROUP			
CHK.							
	APPROVALS			TITLE			
ENG.				DIProPAC SENSORS 1 - 16 TO DSI 2 WIRING DIAGRAM			
MFG.							
FILENAME				CODE IDENT NO.	SIZE	DRAWING NUMBER	REV
REL					C	FIGURE 3	
				SCALE	NONE		SHEET OF