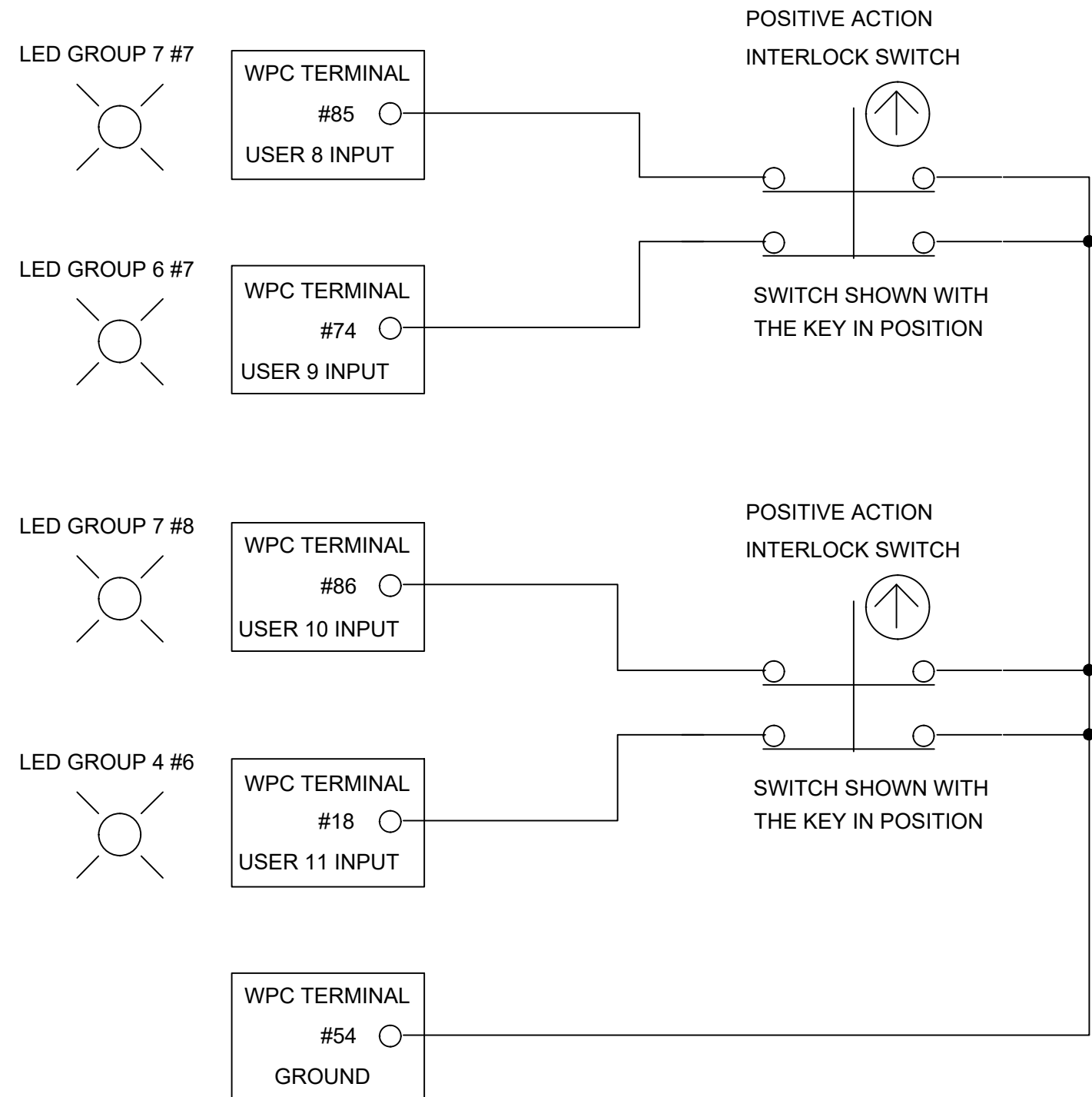


REVISIONS			
REV	DESCRIPTION	DATE	APP'D



THESE TWO CONTACTS MUST WORK TOGETHER.  
 IF EITHER SWITCH OPENS AN ESTOP WILL OCCUR.

IF THE TWO SWITCHES DO NOT BOTH OPEN WITHIN  
 APPROX. 100 MSEC THEN A FAULT WILL OCCUR.

DRAWN	ADB	DATE	10/23/25	WINTRISS CONTROLS GROUP		
CHK.						
APPROVALS				TITLE		
ENG.				WPC APEX CROSS CHECKED USER INTER-LOCKS WITH POSITIVE ACTION SWITCHES		
MFG.						
FILENAME		CODE IDENT NO.	SIZE	DRAWING NUMBER	REV	
REL			B	FIGURE 9		
SCALE				SHEET	OF	