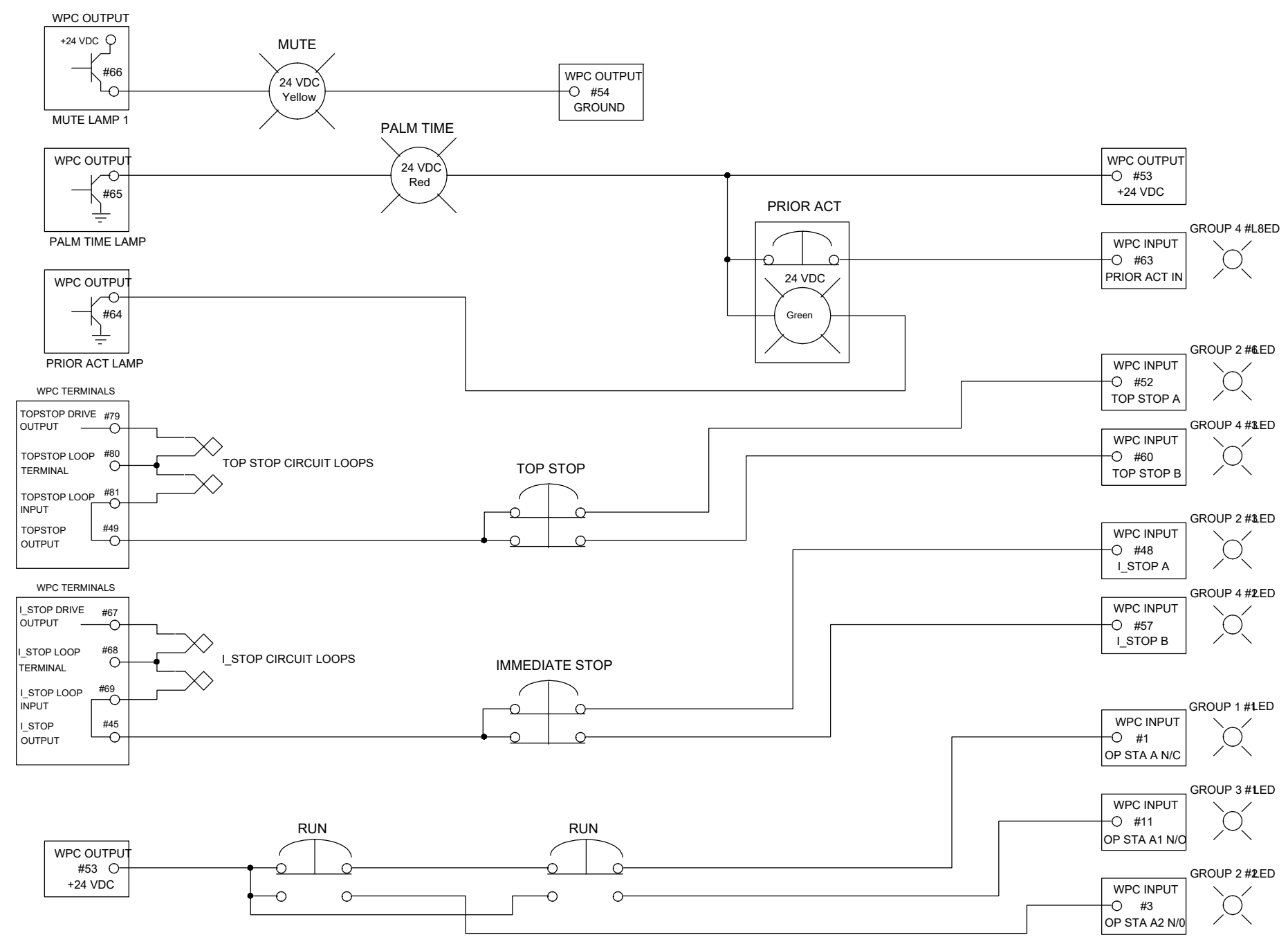


REVISIONS			
REV	DESCRIPTION	DATE	APP'D



Note: Ensure that on any non-Wintriss operator station the Run buttons comply with the requirements in Table B-2 on page B-2.

DRAWN ADB	DATE 10/23/25	WINTRISS CONTROLS GROUP		
CHK.		TITLE WPC APEX OEM OPERATOR STATION		
APPROVALS		CODE IDENT NO.	SIZE B	DRAWING NUMBER FIGURE 7
ENG.		SCALE	SHEET	OF
MFG.				
FILENAME				
REL				