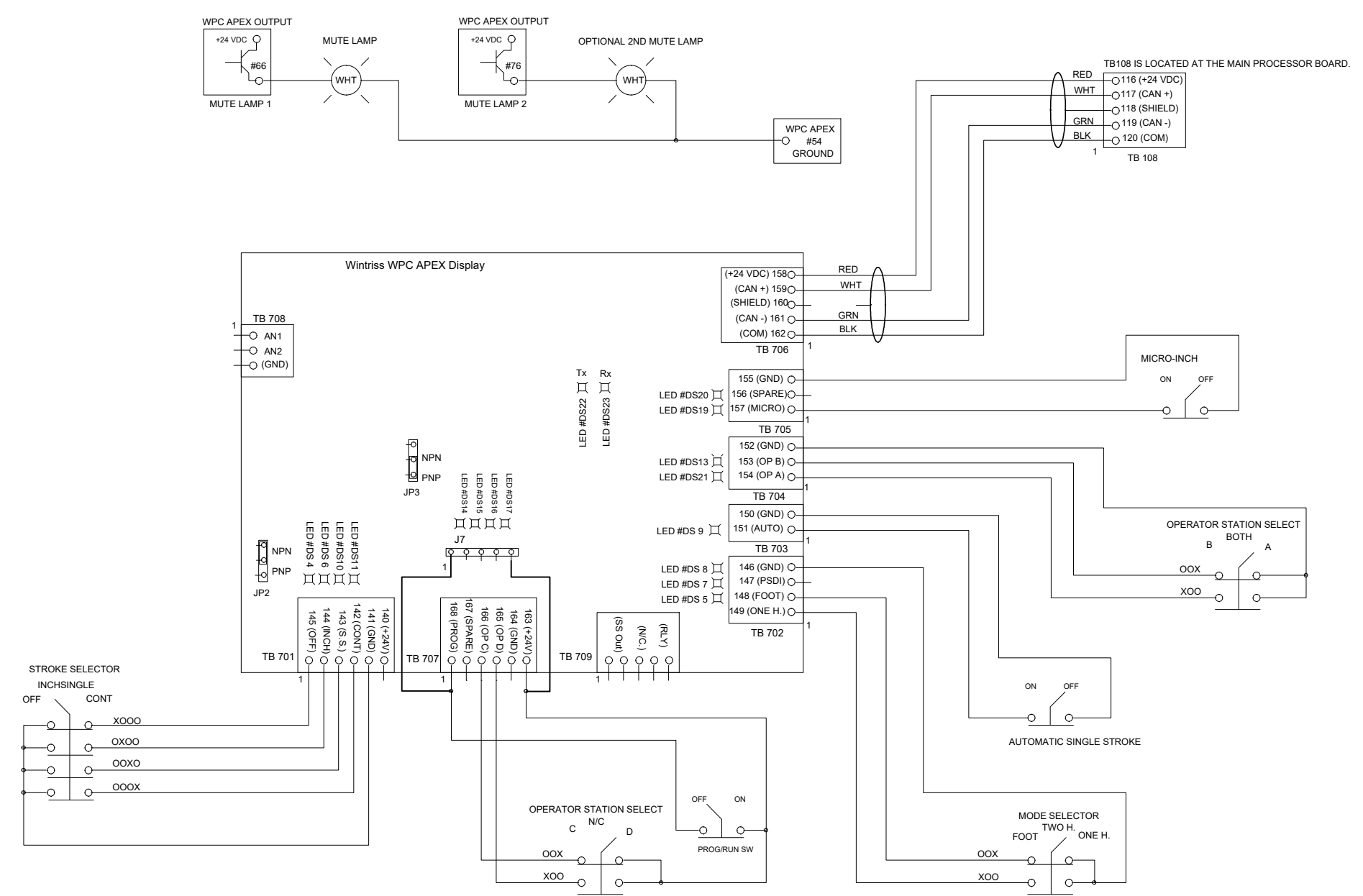


REVISIONS			
REV	DESCRIPTION	DATE	APP'D



NOTE: SELECTING OP STATION C WILL AUTOMATICALLY SELECT A + B AS WELL  
 SELECTING OP STATION D WILL AUTOMATICALLY SELECT A + B + C AS WELL

DRAWN JOC	DATE 2/4/26	WINTRISS CONTROLS GROUP		
CHK.		TITLE WPC APEX MODE SELECTOR SWITCH WIRING		
APPROVALS		CODE IDENT NO.	SIZE B	DRAWING NUMBER FIGURE 5
ENG.		REL	SCALE	REV
MFG.				
FILENAME				