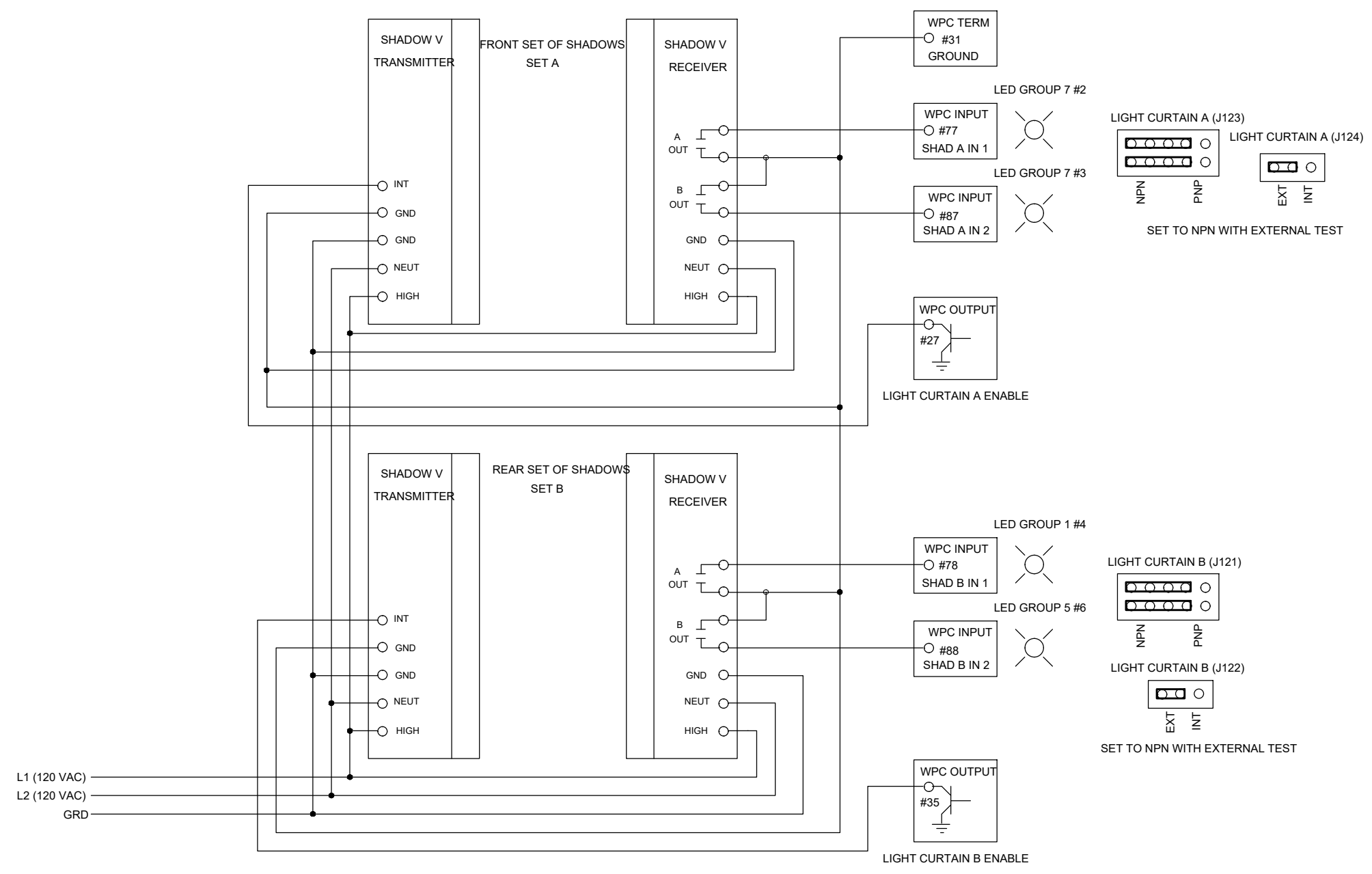


REVISIONS			
REV	DESCRIPTION	DATE	APP'D



L1 (120 VAC)  
L2 (120 VAC)  
GRD

DRAWN	ADB	DATE	10/23/25		
CHK.					
APPROVALS		TITLE			
ENG.		WINTRISS CONTROLS GROUP			
MFG.		WPC APEX DUAL SHADOW V WIRING			
FILENAME		CODE IDENT NO.	SIZE	DRAWING NUMBER	REV
REL			B	FIGURE 3	
SCALE				SHEET	OF