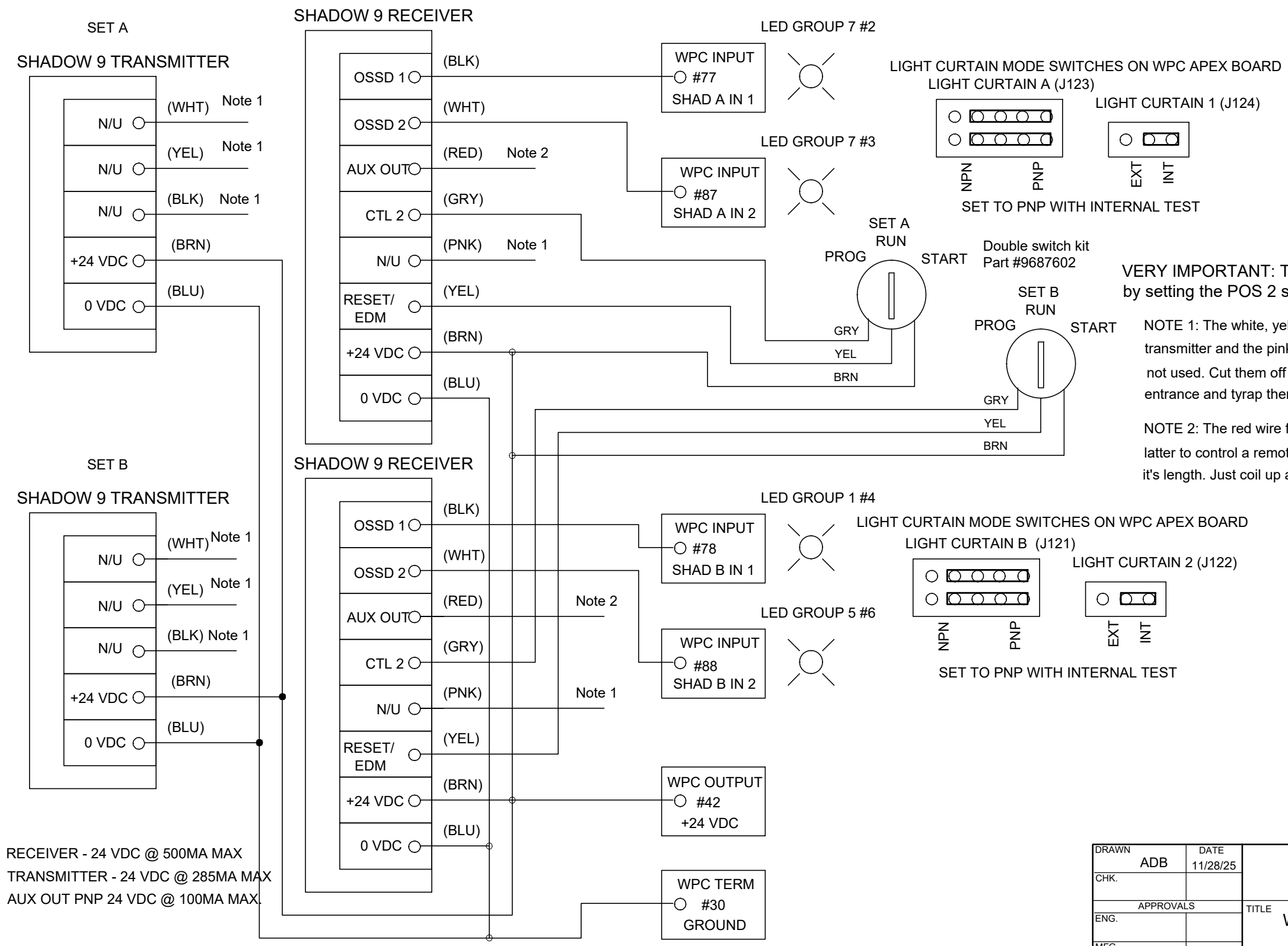


REVISIONS			
REV	DESCRIPTION	DATE	APP'D



**VERY IMPORTANT:** The EDM must be disabled by setting the POS 2 switches both OFF.

NOTE 1: The white, yellow and black wires from the transmitter and the pink wire from the receiver are not used. Cut them off close to the enclosure entrance and tyrap them to the other wires.

NOTE 2: The red wire from the receiver may be used latter to control a remote status indicator. Preserve it's length. Just coil up and tyrap to the other wires.

RECEIVER - 24 VDC @ 500MA MAX  
 TRANSMITTER - 24 VDC @ 285MA MAX  
 AUX OUT PNP 24 VDC @ 100MA MAX.

DRAWN	ADB	DATE	11/28/25	WINTRISS CONTROLS GROUP			
CHK.							
APPROVALS				TITLE			
ENG.				WPC APEX AND DUAL SHADOW 9 WIRING DIAGRAM			
MFG.				CODE IDENT NO.	SIZE	DRAWING NUMBER	REV
FILENAME					B	FIGURE 27	
REL				SCALE	NONE	SHEET	OF