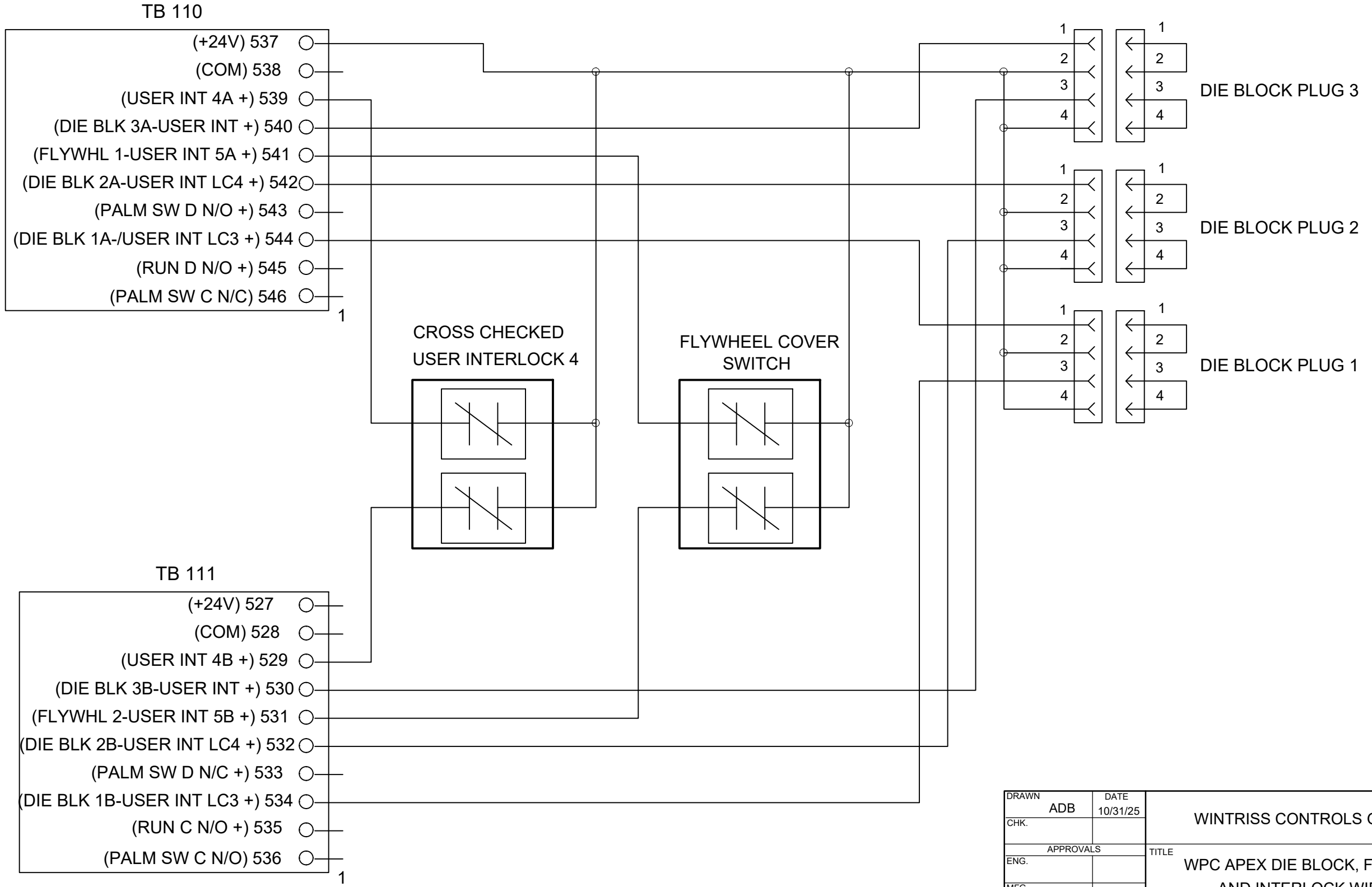


REVISIONS			
REV	DESCRIPTION	DATE	APP'D



DRAWN	ADB	DATE	10/31/25	WINTRISS CONTROLS GROUP			
CHK.				TITLE			
APPROVALS				WPC APEX DIE BLOCK, FLYWHEEL AND INTERLOCK WIRING			
ENG.				CODE IDENT NO.	SIZE	DRAWING NUMBER	REV
MFG.					B	FIGURE 23	
FILENAME				SCALE	NONE	SHEET	OF
REL							