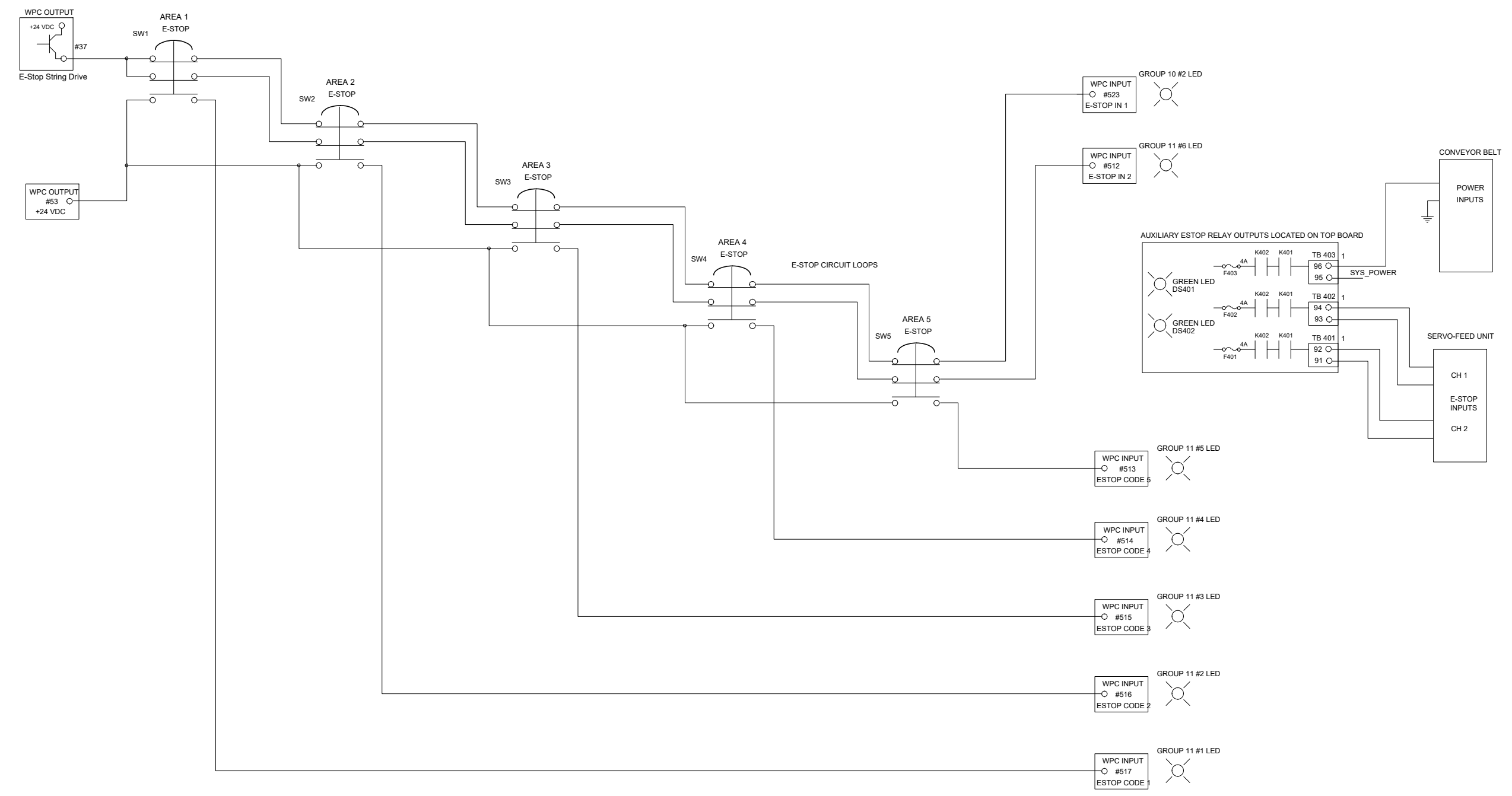


REVISIONS			
REV	DESCRIPTION	DATE	APP'D



DRAWN	LFT	DATE	10/24/25	WINTRISS CONTROLS GROUP			
CHK.							
APPROVALS				TITLE			
ENG.				WPC APEX OEM EMERGENCY STOP WIRING DIAGRAM			
MFG.				CODE IDENT NO.	SIZE	DRAWING NUMBER	REV
FILENAME					B	FIGURE 21	
REL				SCALE	NONE	SHEET	OF