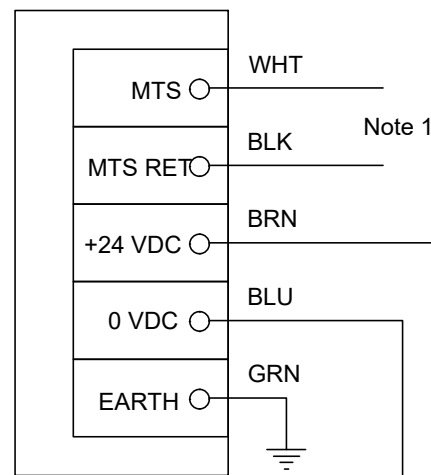


REVISIONS			
REV	DESCRIPTION	DATE	APP'D

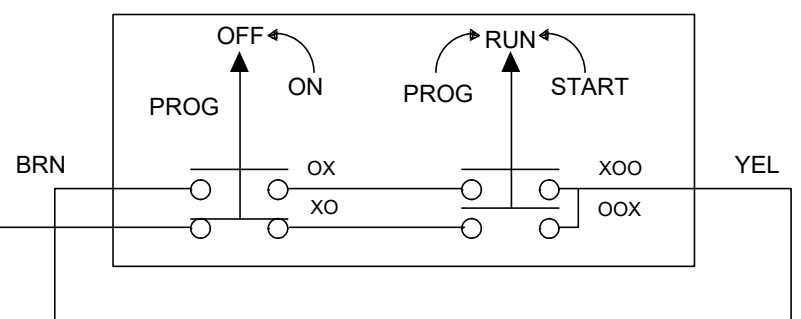
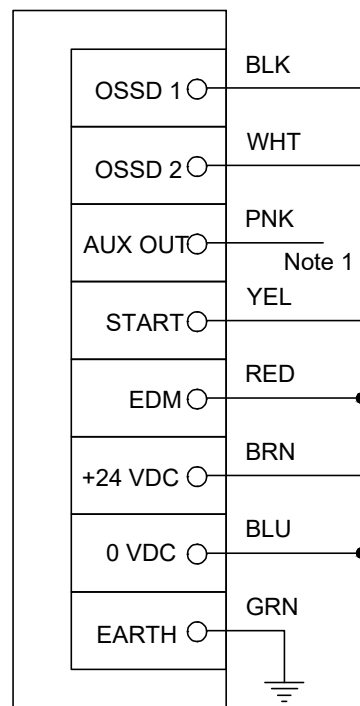
NOTE 1: The white and black wires from the transmitter and the pink wire from the receiver are not used.
Cut them off close to the enclosure entrance and tyrap them to the other wires.

SHADOW 8 TRANSMITTER



RECEIVER - 24 VDC @ 500MA MAX
TRANSMITTER - 24 VDC @ 285MA MAX
AUX OUT PNP 24 VDC @ 100MA MAX.

SHADOW 8 RECEIVER

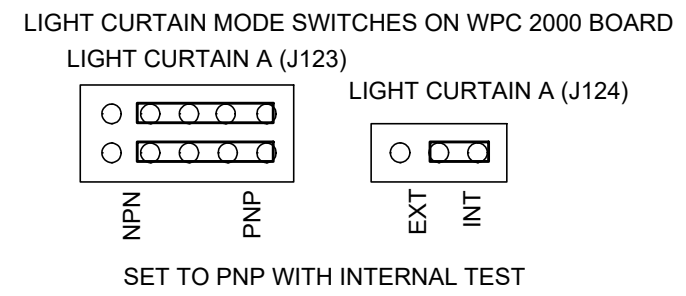


SET MODE SWITCHES SWA AND SWB BEHIND A FLIP DOOR ON BOTTOM OF THE RECEIVER UNIT AS FOLLOWS:

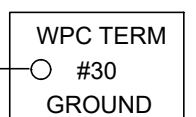
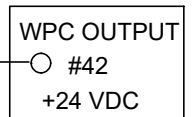
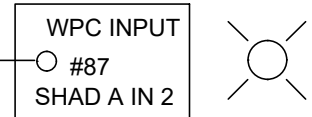
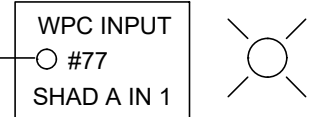
	SWA	SWB
FOR AUTOMATIC START	SW1 - OFF	OFF
EDM DISABLED	SW2 - OFF	OFF
SCAN CODE A (Set to match transmitter)	SW3 - OFF	OFF
SCAN CODE B	SW3 - ON	ON
FLOATING/BLANKING 1 BEAM DISABLED	SW4 - OFF	OFF
FLOATING/BLANKING 1 BEAM ENABLED	SW4 - ON	ON
FIXED BLANKING DISABLED	SW5 - OFF	OFF
FIXED BLANKING ENABLED	SW5 - ON	ON
SHORT RANGE	SW6 - OFF	OFF
LONG RANGE	SW6 - OFF	ON

SET MODE SWITCH BEHIND THE FLIP DOOR ON BOTTOM OF THE TRANSMITTER UNIT AS FOLLOWS:

SCAN CODE A (Set to match receiver)	SW1 - OFF
SCAN CODE B	SW1 - ON
MTS DISABLED	SW2 - OFF



SET TO PNP WITH INTERNAL TEST



DRAWN	ADB	DATE	10/23/25	WINTRISS CONTROLS GROUP			
CHK.				TITLE			
APPROVALS				WPC APEX AND SHADOW 8 WIRING DIAGRAM			
ENG.				CODE IDENT NO.	SIZE	DRAWING NUMBER	REV
MFG.					B	FIGURE 19	
FILENAME				SCALE	NONE	SHEET	OF
REL							