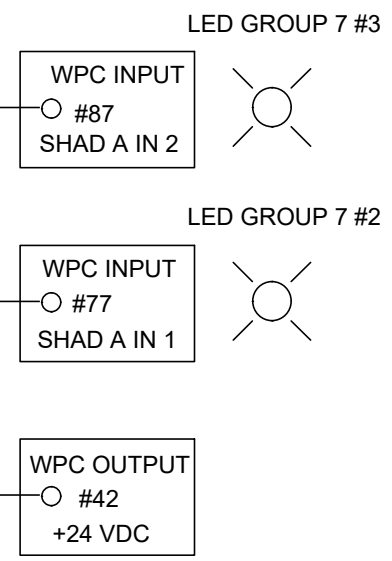
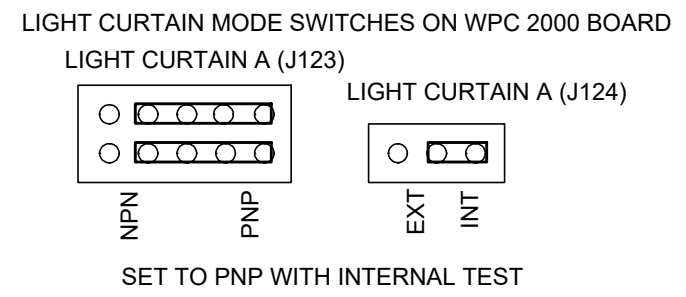
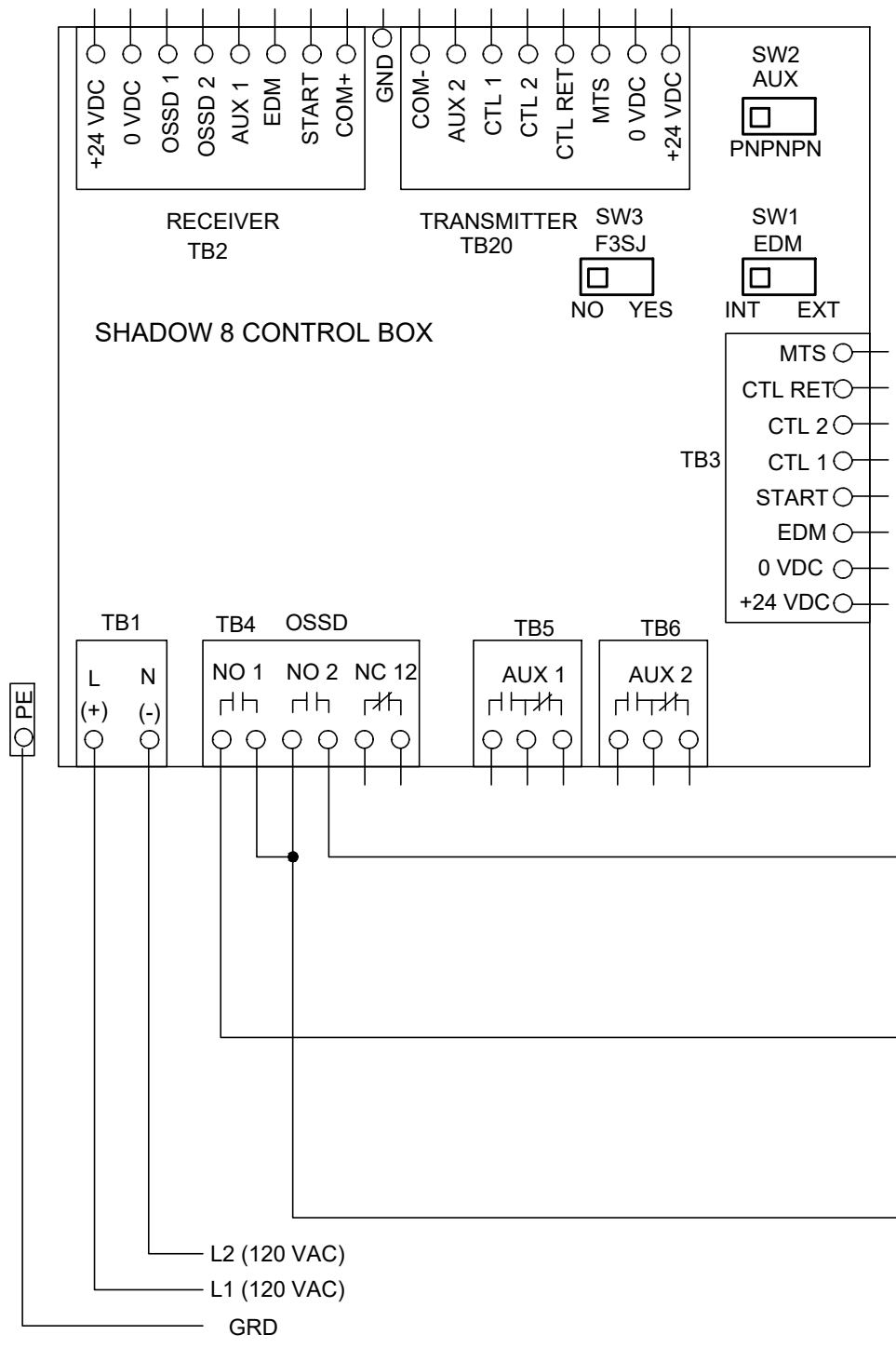


REVISIONS			
REV	DESCRIPTION	DATE	APP'D



SET MODE SWITCHES SWA AND SWB BEHIND A FLIP DOOR ON BOTTOM OF THE RECEIVER UNIT AS FOLLOWS:

	SWA	SWB
FOR AUTOMATIC START	SW1 - OFF	OFF
EDM ENABLED	SW2 - ON	ON
SCAN CODE A (Set to match transmitter)	SW3 - OFF	OFF
SCAN CODE B	SW3 - ON	ON
FLOATING/BLANKING 1 BEAM DISABLED	SW4 - OFF	OFF
FLOATING/BLANKING 1 BEAM ENABLED	SW4 - ON	ON
FIXED BLANKING DISABLED	SW5 - OFF	OFF
FIXED BLANKING ENABLED	SW5 - ON	ON
SHORT RANGE	SW6 - OFF	OFF
LONG RANGE	SW6 - OFF	ON

SET MODE SWITCH BEHIND THE FLIP DOOR ON BOTTOM OF THE TRANSMITTER UNIT AS FOLLOWS:

SCAN CODE A (Set to match receiver)	SW1 - OFF
SCAN CODE B	SW1 - ON
MTS DISABLED	SW2 - OFF

DRAWN	ADB	DATE	10/23/25	WINTRISS CONTROLS GROUP			
CHK.				TITLE			
ENG.				WPC APEX AND SHADOW 8 CONTROL BOX WIRING DIAGRAM			
MFG.				CODE IDENT NO.	SIZE	DRAWING NUMBER	REV
FILENAME					B	FIGURE 18	
REL				SCALE	NONE	SHEET	OF