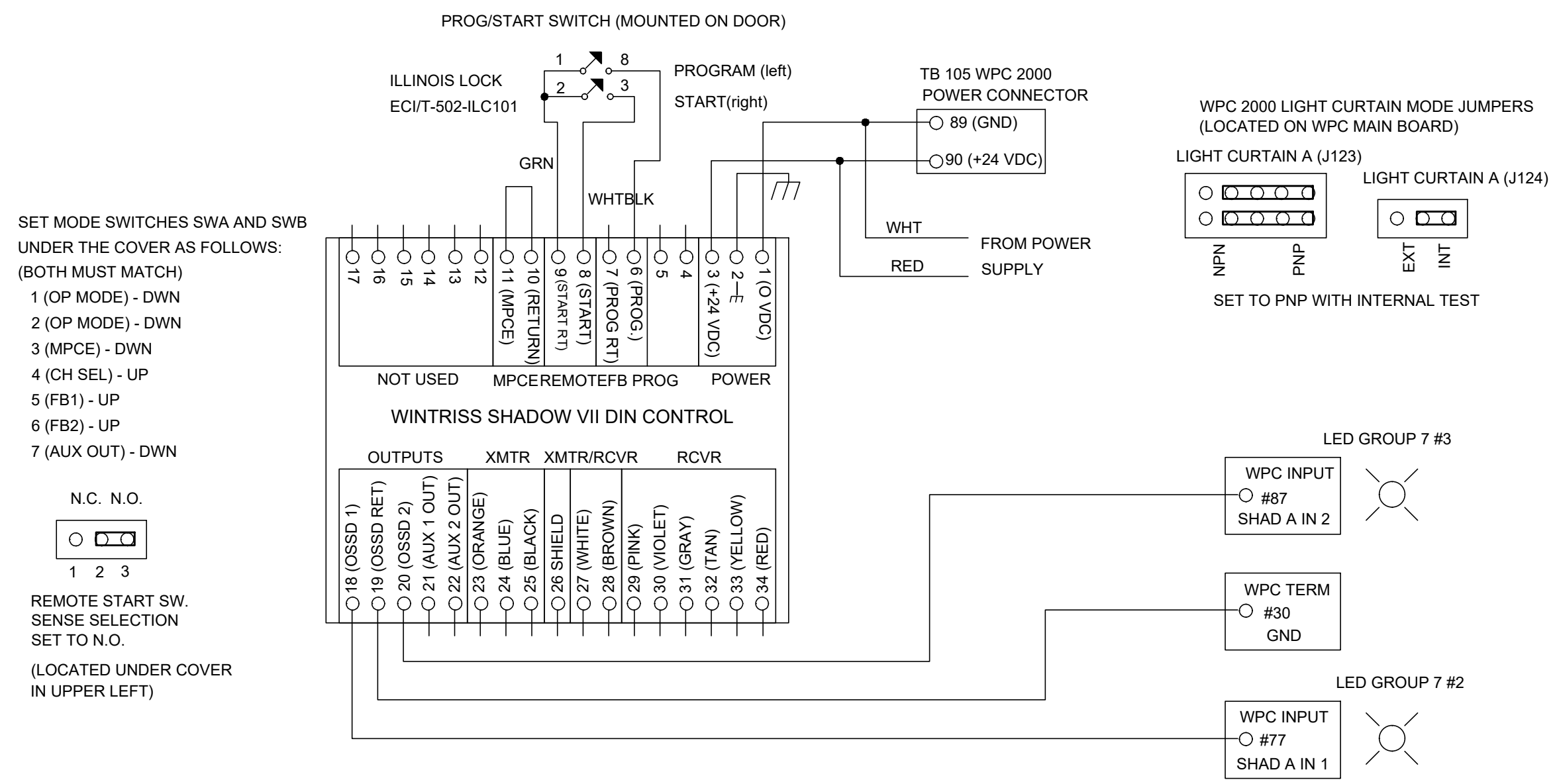
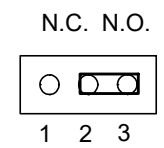


REVISIONS			
REV	DESCRIPTION	DATE	APP'D



SET MODE SWITCHES SWA AND SWB UNDER THE COVER AS FOLLOWS: (BOTH MUST MATCH)

- 1 (OP MODE) - DWN
- 2 (OP MODE) - DWN
- 3 (MPCE) - DWN
- 4 (CH SEL) - UP
- 5 (FB1) - UP
- 6 (FB2) - UP
- 7 (AUX OUT) - DWN



REMOTE START SW. SENSE SELECTION SET TO N.O. (LOCATED UNDER COVER IN UPPER LEFT)

DRAWN	ADB	DATE	10/23/25	WINTRISS CONTROLS GROUP			
CHK.							
APPROVALS				TITLE			
ENG.				SHADOW VII DIN CONTROL WPC APEX WIRING DIAGRAM			
MFG.				CODE IDENT NO.	SIZE	DRAWING NUMBER	REV
FILENAME					B	FIGURE 16	
REL				SCALE	NONE	SHEET	OF