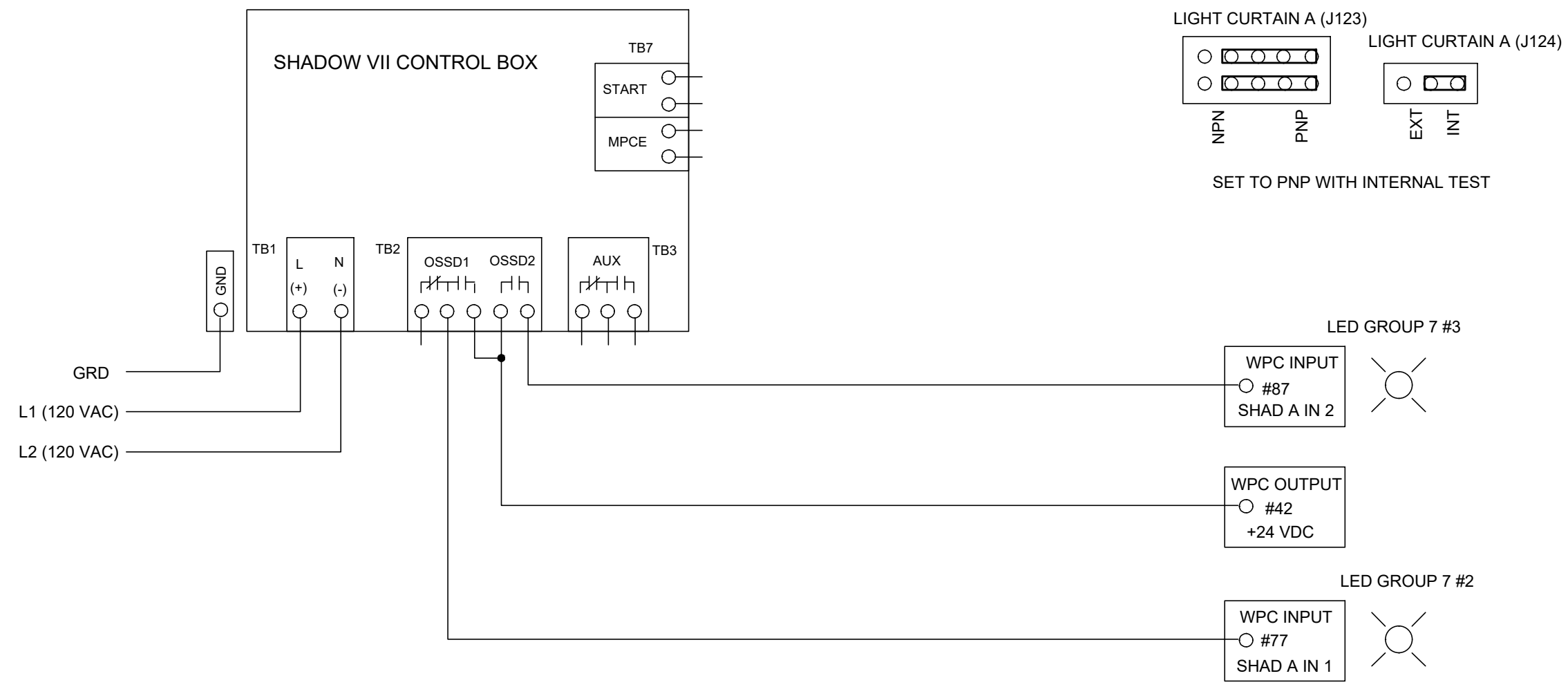


REVISIONS			
REV	DESCRIPTION	DATE	APP'D



DRAWN	ADB	DATE	10/23/25	WINTRISS CONTROLS GROUP			
CHK.							
APPROVALS				TITLE			
ENG.				WPC APEX SHADOW VII WIRING			
MFG.							
FILENAME				CODE IDENT NO.	SIZE	DRAWING NUMBER	REV
REL					B	FIGURE 15	
				SCALE	NONE	SHEET	OF