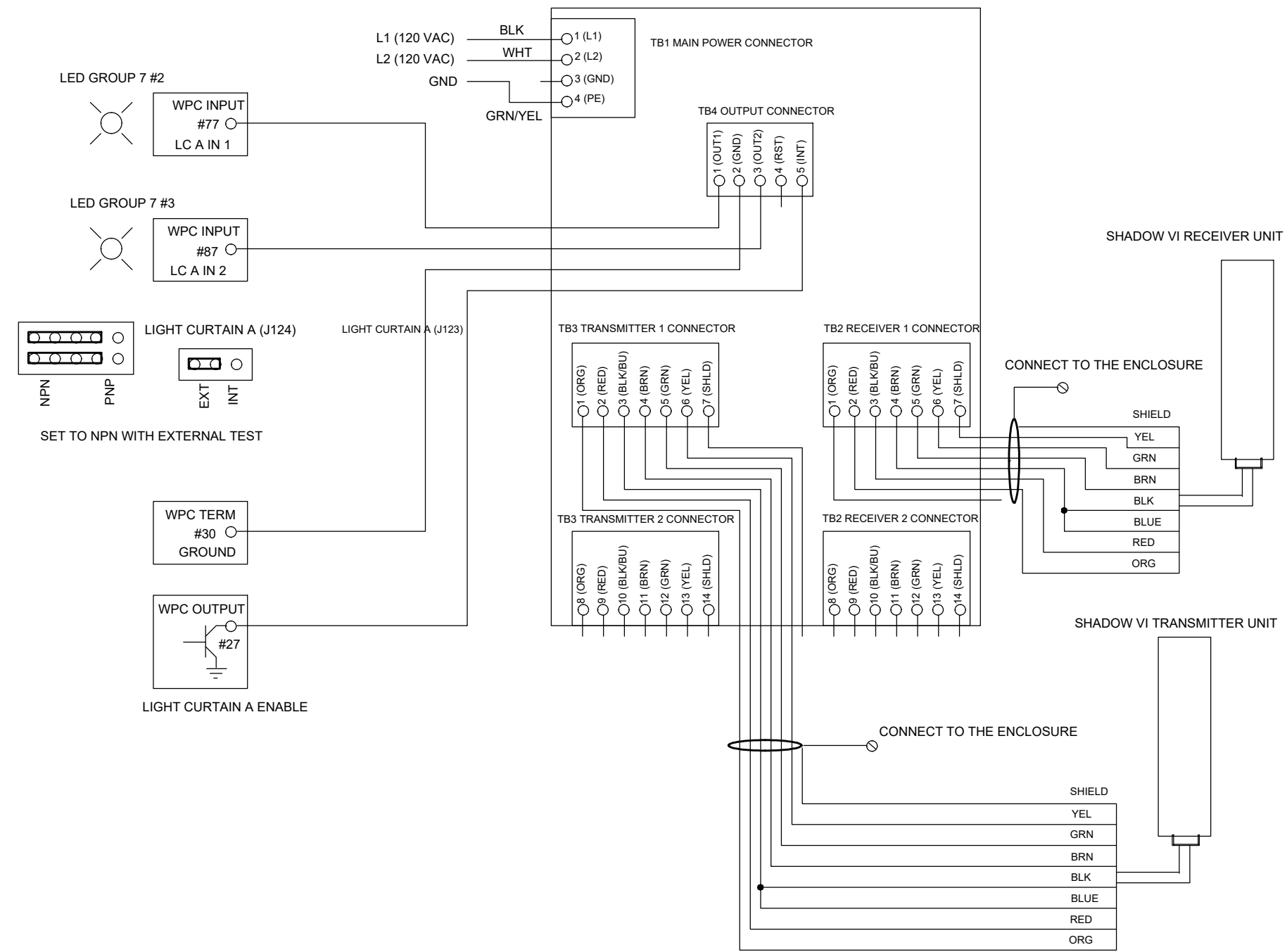


REVISIONS			
REV	DESCRIPTION	DATE	APP'D

SHADOW VI INTEGRATION CONTROL BOX



DRAWN	ADB	DATE	10/23/25	WINTRISS CONTROLS GROUP		
CHK.						
APPROVALS				TITLE WPC APEX SHADOW VI INTEGRATION A WIRING		
ENG.						
MFG.				CODE IDENT NO.	SIZE	DRAWING NUMBER
REL					B	FIGURE 11
SCALE				SHEET	OF	