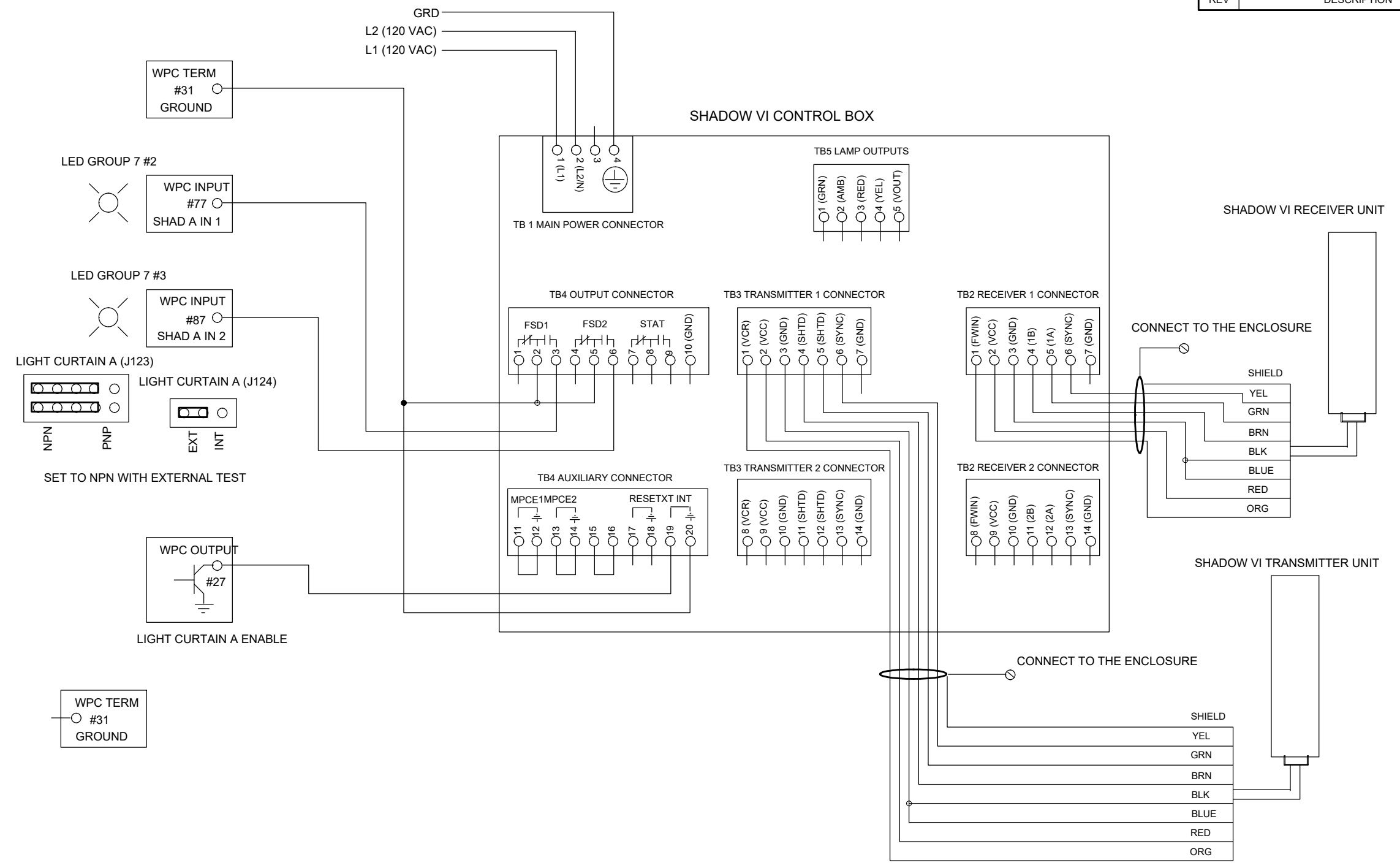


REVISIONS			
REV	DESCRIPTION	DATE	APP'D



DRAWN	ADB	DATE	10/23/25	WINTRISS CONTROLS GROUP		
CHK.						
APPROVALS				TITLE		
ENG.				WPC APEX SHADOW VI A WIRING		
MFG.						
FILENAME				CODE IDENT NO.	SIZE	DRAWING NUMBER
REL					B	FIGURE 10
				SCALE		SHEET OF