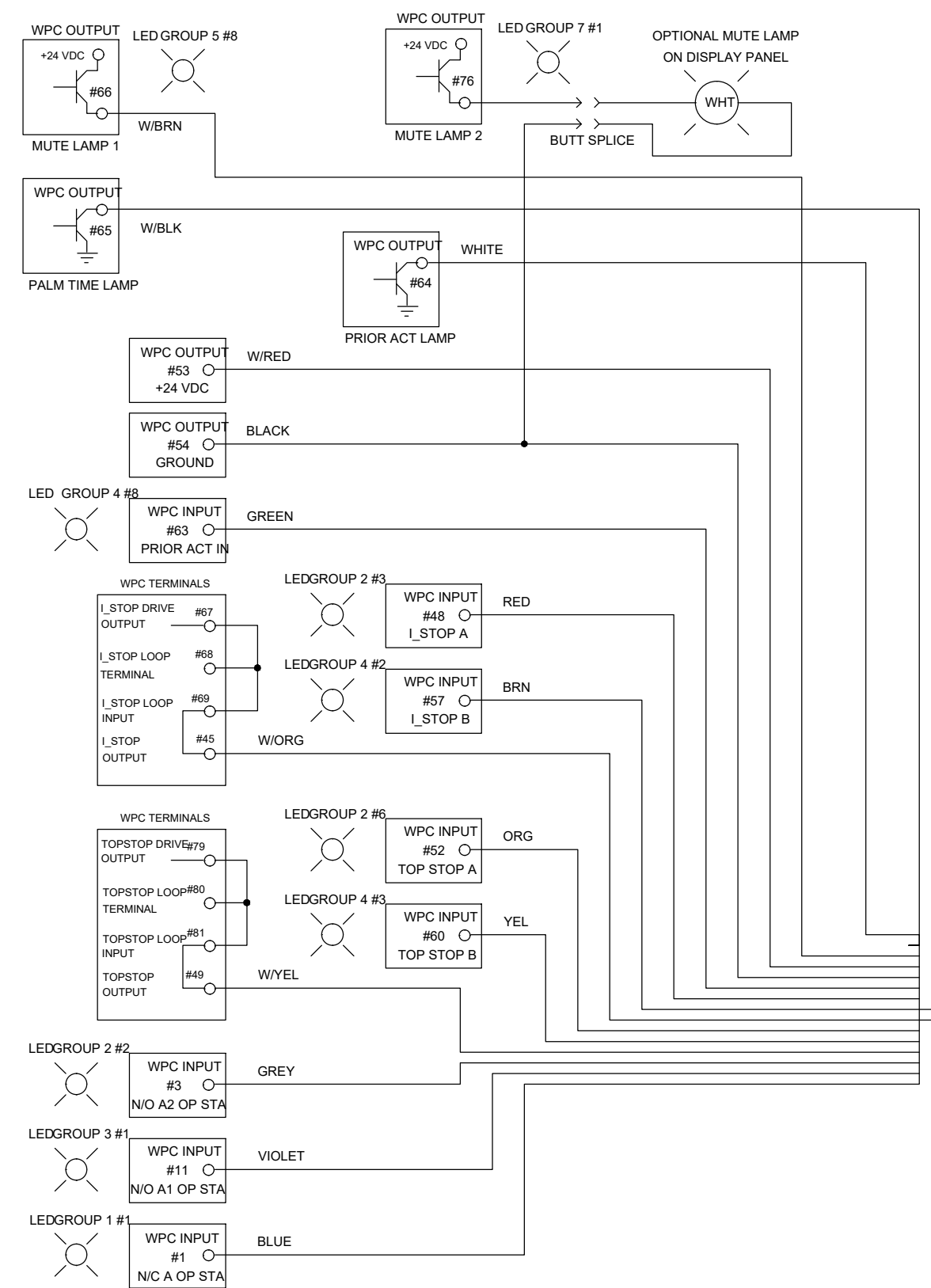
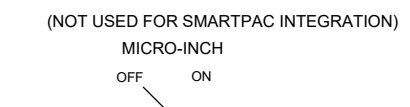
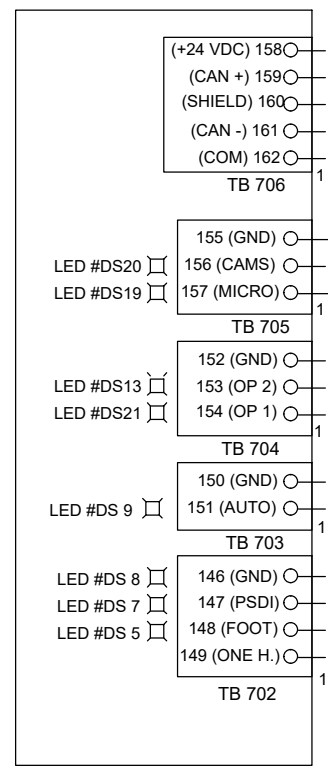


REVISIONS			
REV	DESCRIPTION	DATE	APP'D



WPC APEX HMI CARRIER BOARD (Partial)

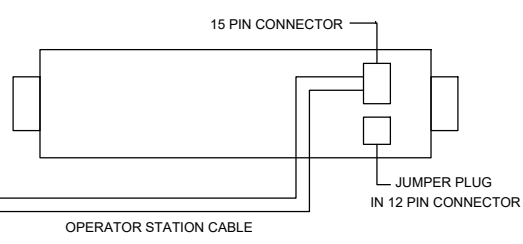


(NOT USED FOR SMARTPAC INTEGRATION)
 MICRO-INCH
 OFF ON

TO MAKE MICRO INCH SELECTABLE EXTERNALLY
 ADD SWITCH SHOWN ABOVE

TO TURN ON MICRO INCH ALL THE TIME JUST JUMPER THE
 MICRO INCH INPUT TO GROUND

Note: Ensure that on any non-Wintriss supplied operator station run buttons comply with the requirements in table B-2 on page B-2 of the press control manual.



DRAWN	ADB	DATE	10/23/25	WINTRISS CONTROLS GROUP			
CHK.							
APPROVALS				TITLE			
ENG.				WPC APEX OPERATOR STATION A WIRING			
MFG.				CODE IDENT NO.	SIZE	DRAWING NUMBER	REV
FILENAME					B	FIGURE 1	
REL				SCALE		SHEET	OF