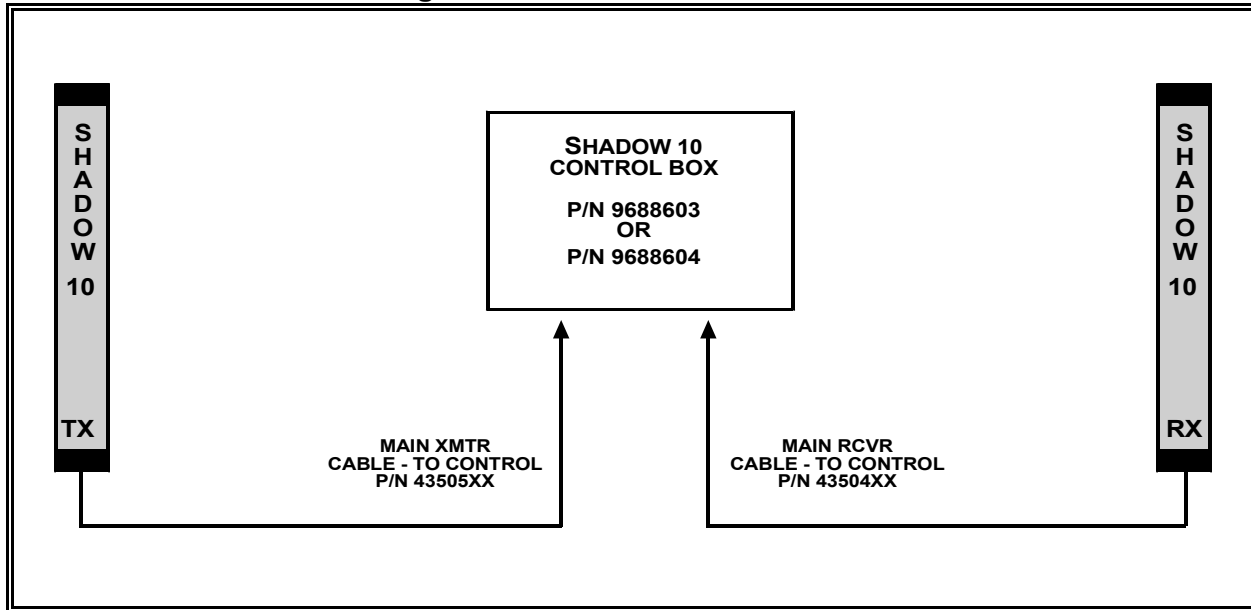


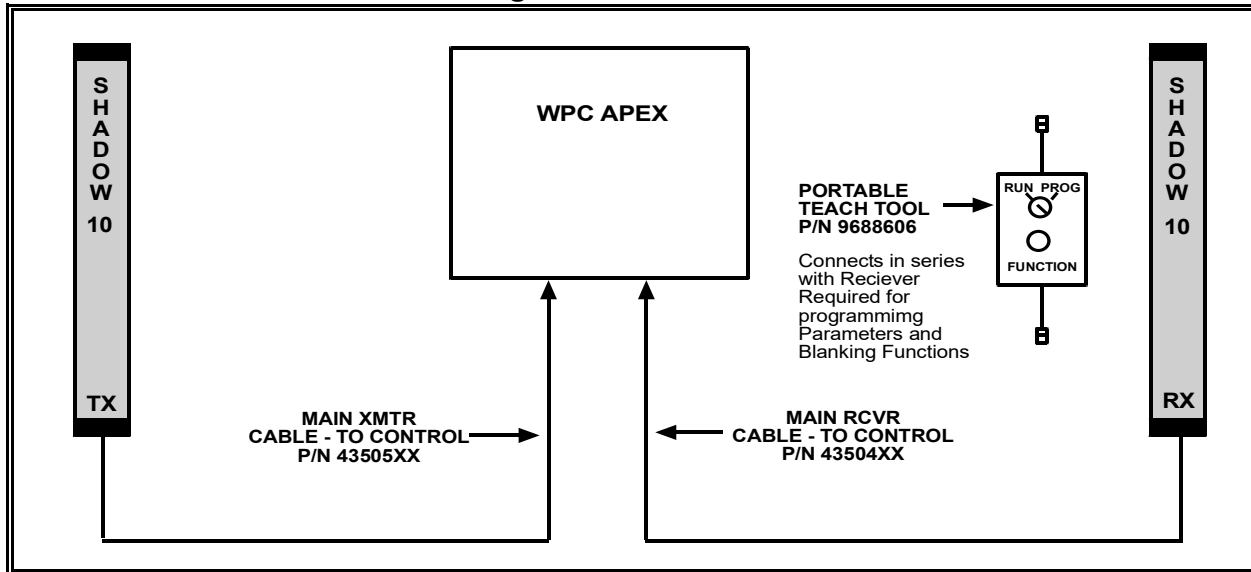
Shadow 10 Configurations Examples

Single Set w/Shadow 10 Control Box



Configuration Notes:		
Required System Components		
P/N	Desc	Qty
9688603	Control (24 VDC Estop)	
9688604	Control (110 VAC Estop)	
96884XX	XMTR / RCVR Set	1
43505XX	Main XMTR Cable	1
43504XX	Main RCVR Cable	1

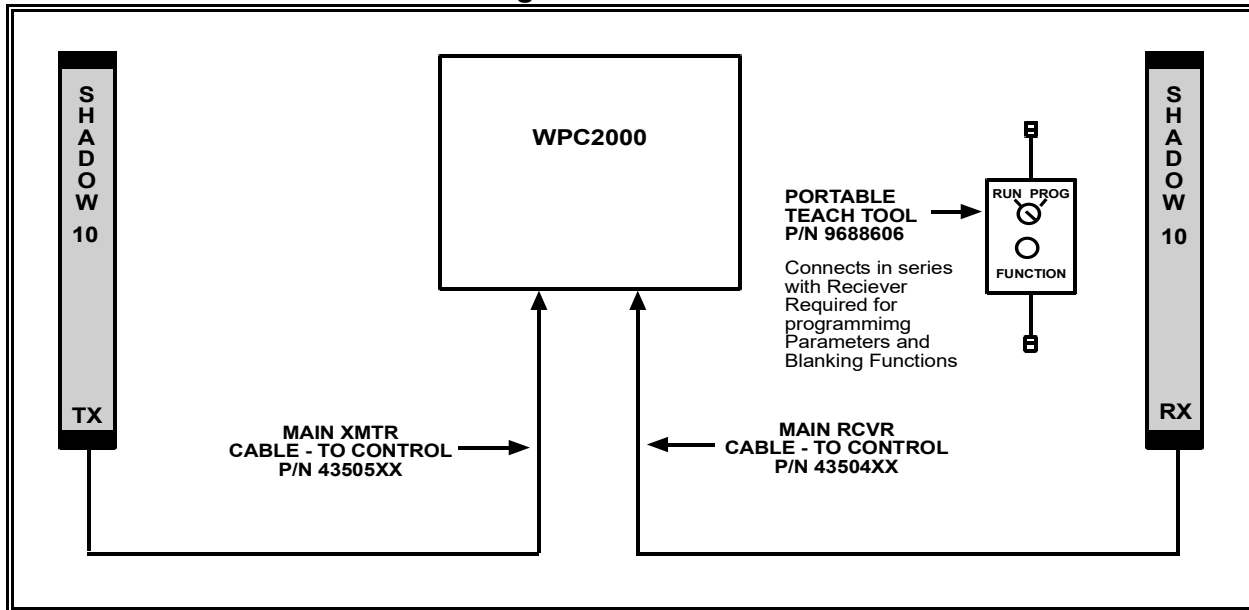
Single Set w/WPC APEX



Configuration Notes:		
Required System Components		
P/N	Desc	Qty
96884XX	XMTR / RCVR Set	1
43505XX	Main XMTR Cable	1
43504XX	Main RCVR Cable	1

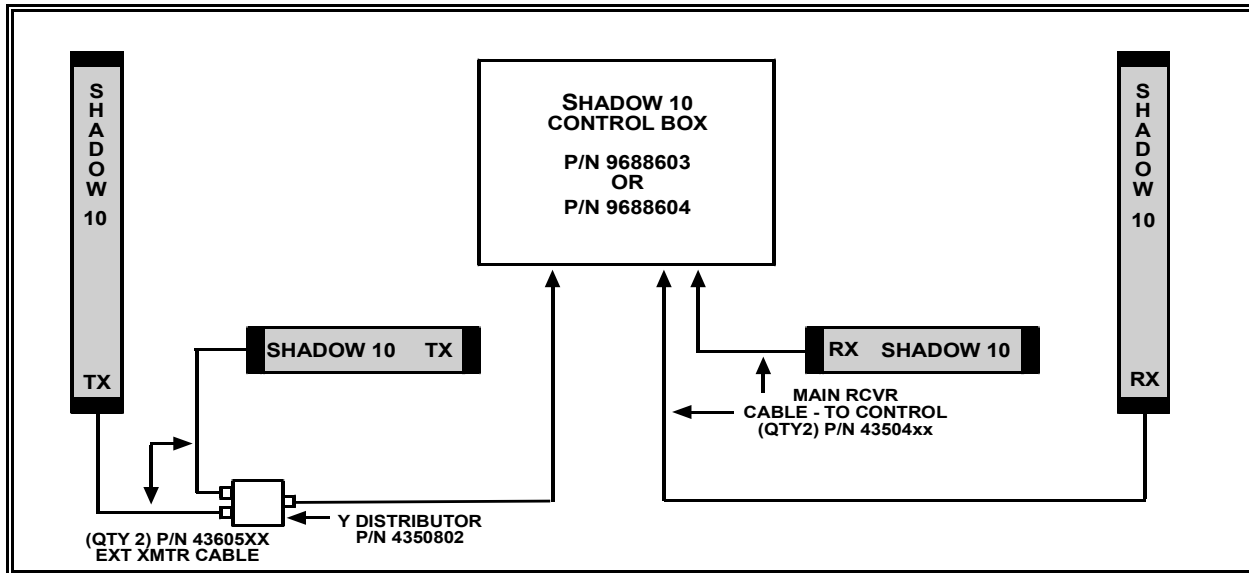
Shadow 10 Configurations Examples

Single Set w/WPC 2000



Configuration Notes:		
Required System Components		
P/N	Desc	Qty
96884XX	XMTR / RCVR Set	1
43505XX	Main XMTR Cable	1
43504XX	Main RCVR Cable	1
9688606	Portable Teach Tool	1

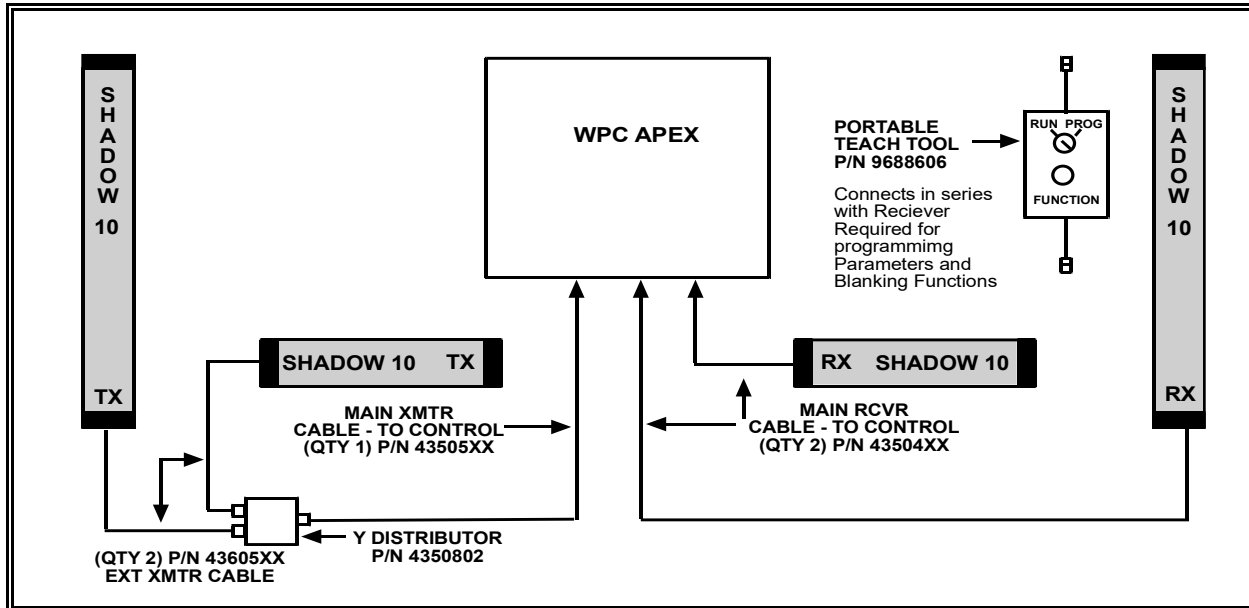
Two Sets w/Shadow 10 Control Box



Configuration Notes:		
Required System Components		
P/N	Desc	Qty
9688603	Control (24 VDC Estop)	
9688604	Control (110 VAC Estop)	
96884XX	XMTR / RCVR Set	2
43505XX	Main XMTR Cable	2
43504XX	Main RCVR Cable	2
4350802	Y DISTRIBUTOR	1
43605XX	EXT XMTR Cable	2

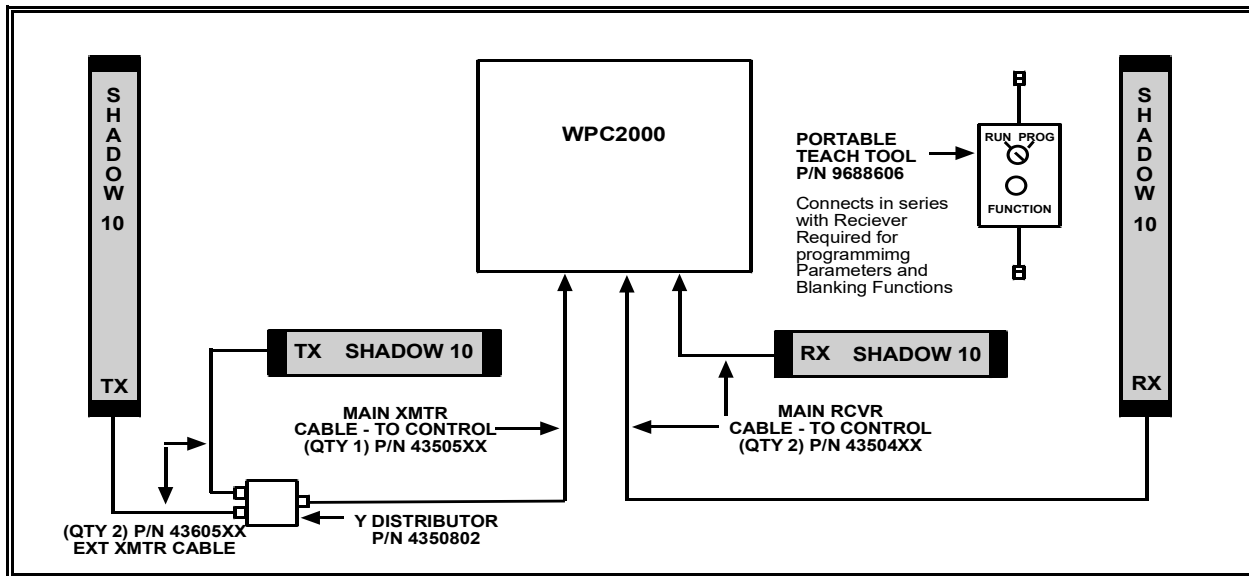
Shadow 10 Configurations Examples

Two Sets w/WPC APEX



Configuration Notes:		
Required System Components		
P/N	Desc	Qty
9688604	Control (110 VAC Estop)	
96884XX	XMTR / RCVR Set	2
43505XX	Main XMTR Cable	1
43504XX	Main RCVR Cable	2
9688606	Portable Teach Tool	1
4350802	Y DISTRIBUTOR	1
43605XX	EXT XMTR Cable	2

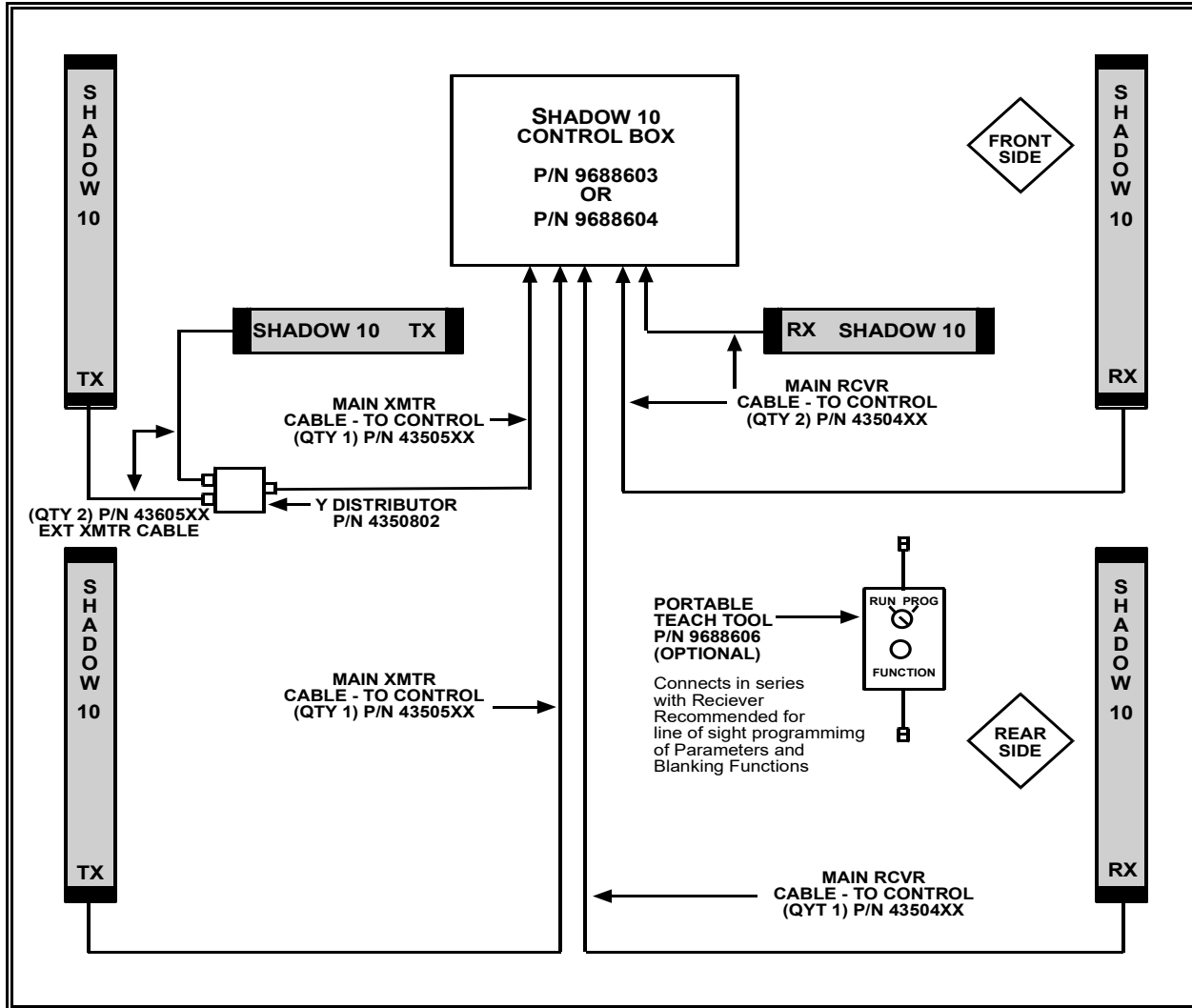
Two Sets w/WPC 2000



Configuration Notes:		
Required System Components		
P/N	Desc	Qty
96884XX	XMTR / RCVR Set	2
43505XX	Main XMTR Cable	1
43504XX	Main RCVR Cable	2
9688606	Portable Teach Tool	1
4350802	Y DISTRIBUTOR	1
43605XX	EXT XMTR Cable	2

Shadow 10 Configurations Examples

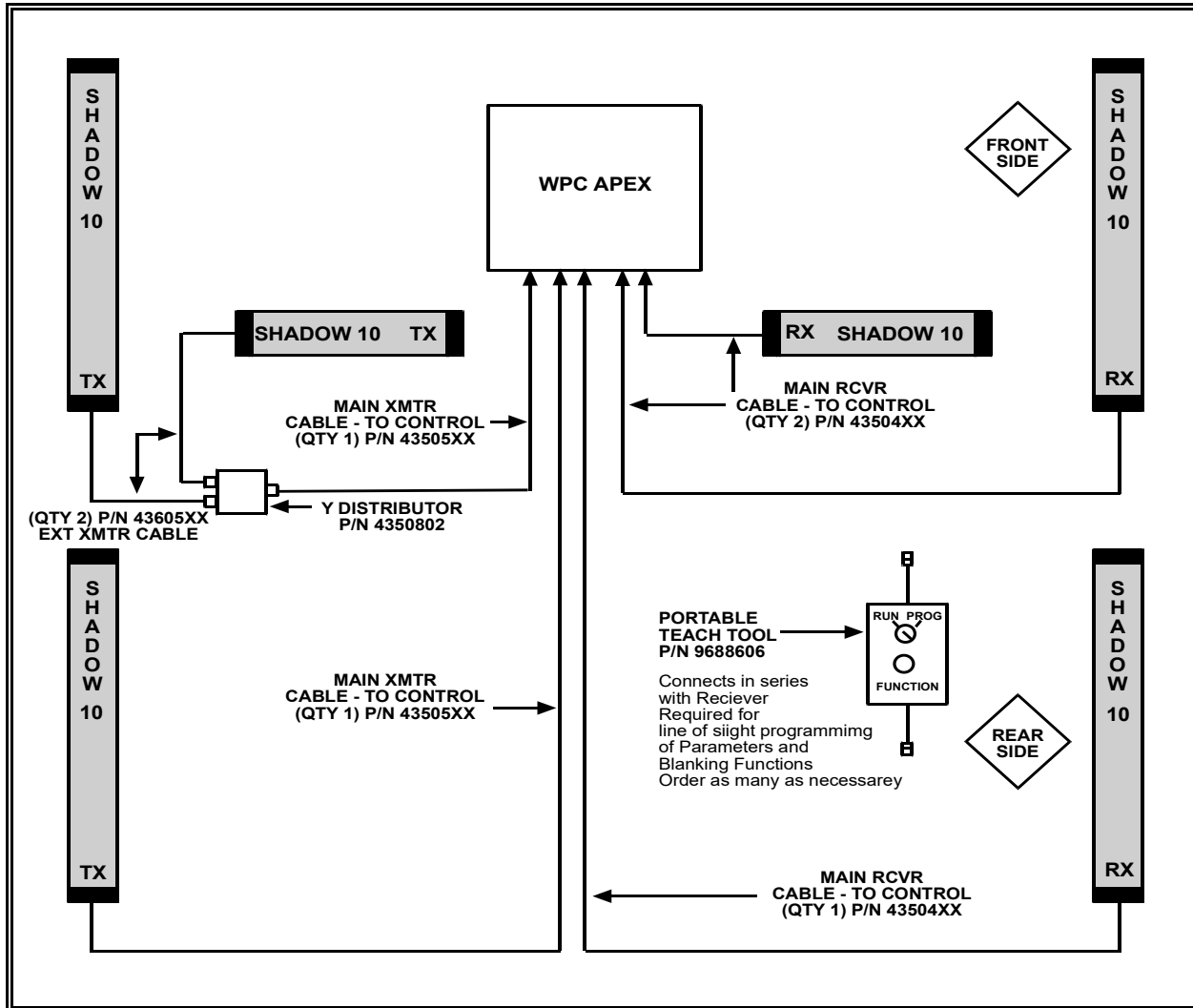
Three Sets w/Shadow 10 Control Box



Configuration Notes:		
Required System Components		
P/N	Desc	Qty
9688603	Control (24 VDC Estop)	
9688604	Control (110 VAC Estop)	
96884XX	XMTR / RCVR Set	3
43505XX	Main XMTR Cable	2
43504XX	Main RCVR Cable	3
4350802	Y DISTRIBUTOR	1
43605XX	EXT XMTR Cable	3
Optional System Components		
9688606	Portable Teach Tool	1

Shadow 10 Configurations Examples

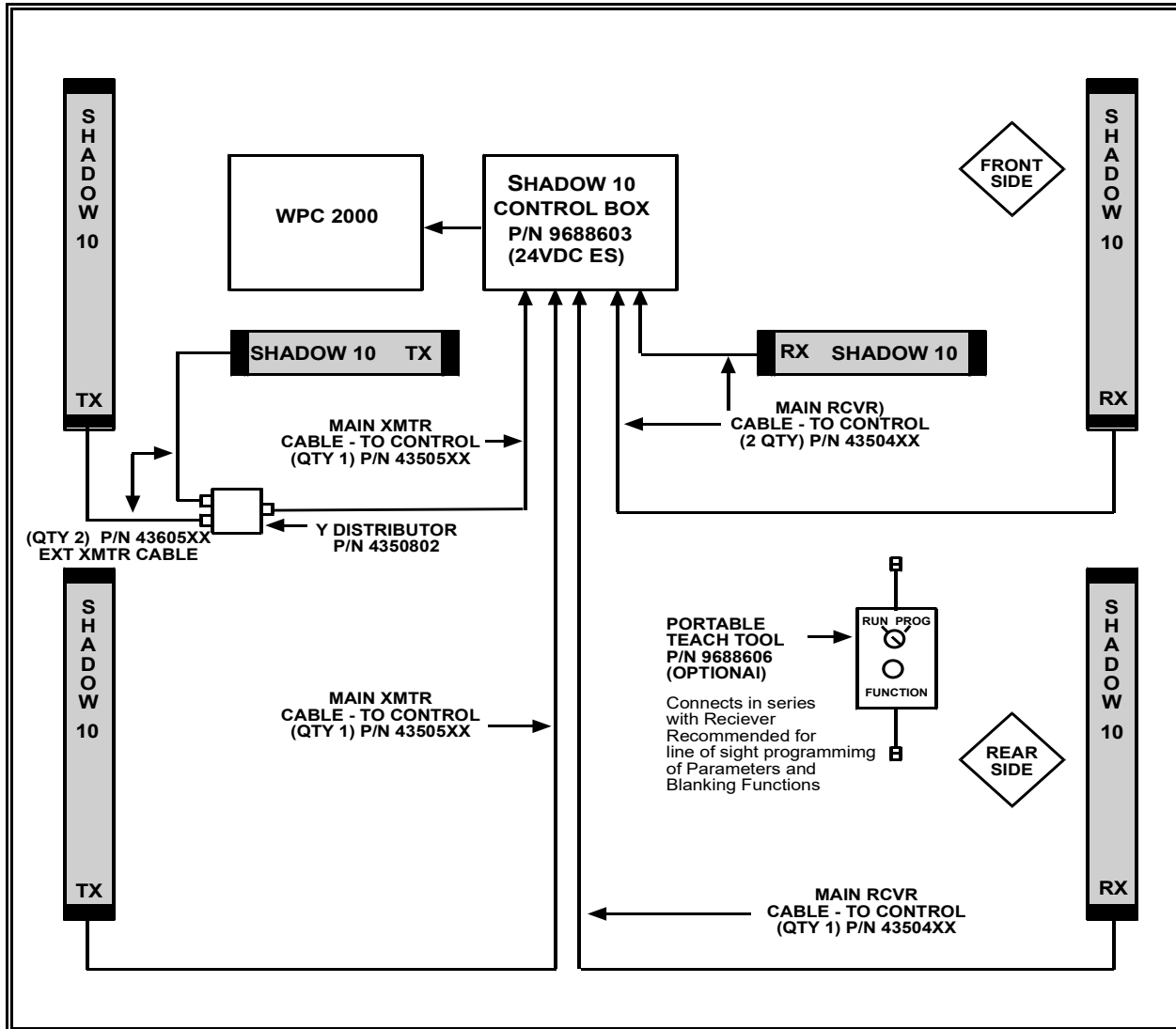
Three Sets w/WPC APEX



Configuration Notes:		
Required System Components		
P/N	Desc	Qty
96884XX	XMTR / RCVR Set	3
43505XX	Main XMTR Cable	2
43504XX	Main RCVR Cable	3
4350802	Y DISTRIBUTOR	1
43605XX	EXT XMTR Cable	2
9688606	Portable Teach Tool	1

Shadow 10 Configurations Examples

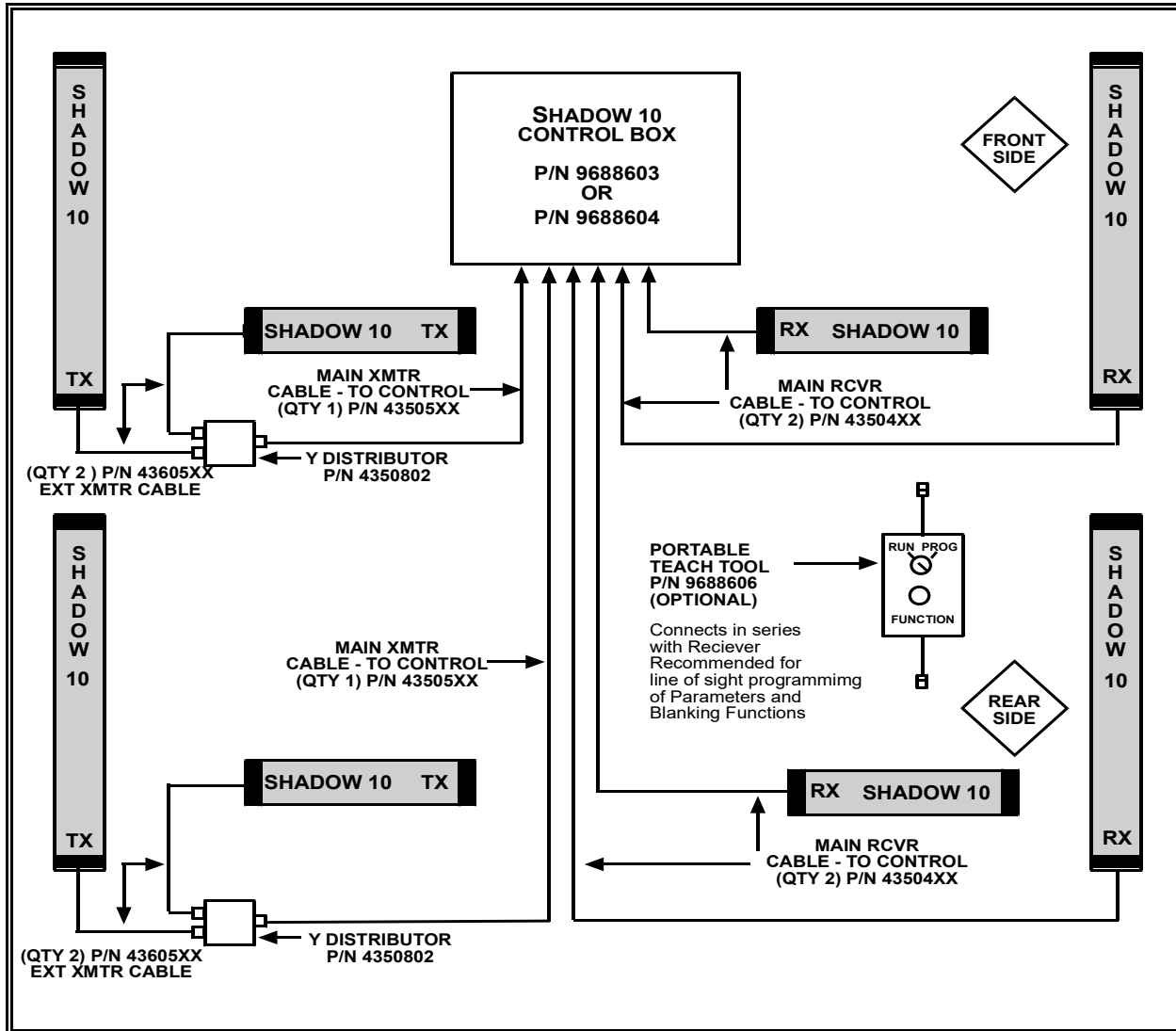
Three Sets w/WPC 2000



Configuration Notes:		
Required System Components		
P/N	Desc	Qty
9688603	SH 10 CTL (24VDC ES)	1
96884XX	XMTR / RCVR Set	3
43505XX	Main XMTR Cable	2
43504XX	Main RCVR Cable	3
4350802	Y DISTRIBUTOR	1
43605XX	EXT XMTR Cable	2
Optional System Components		
9688606	Portable Teach Tool	1

Shadow 10 Configurations Examples

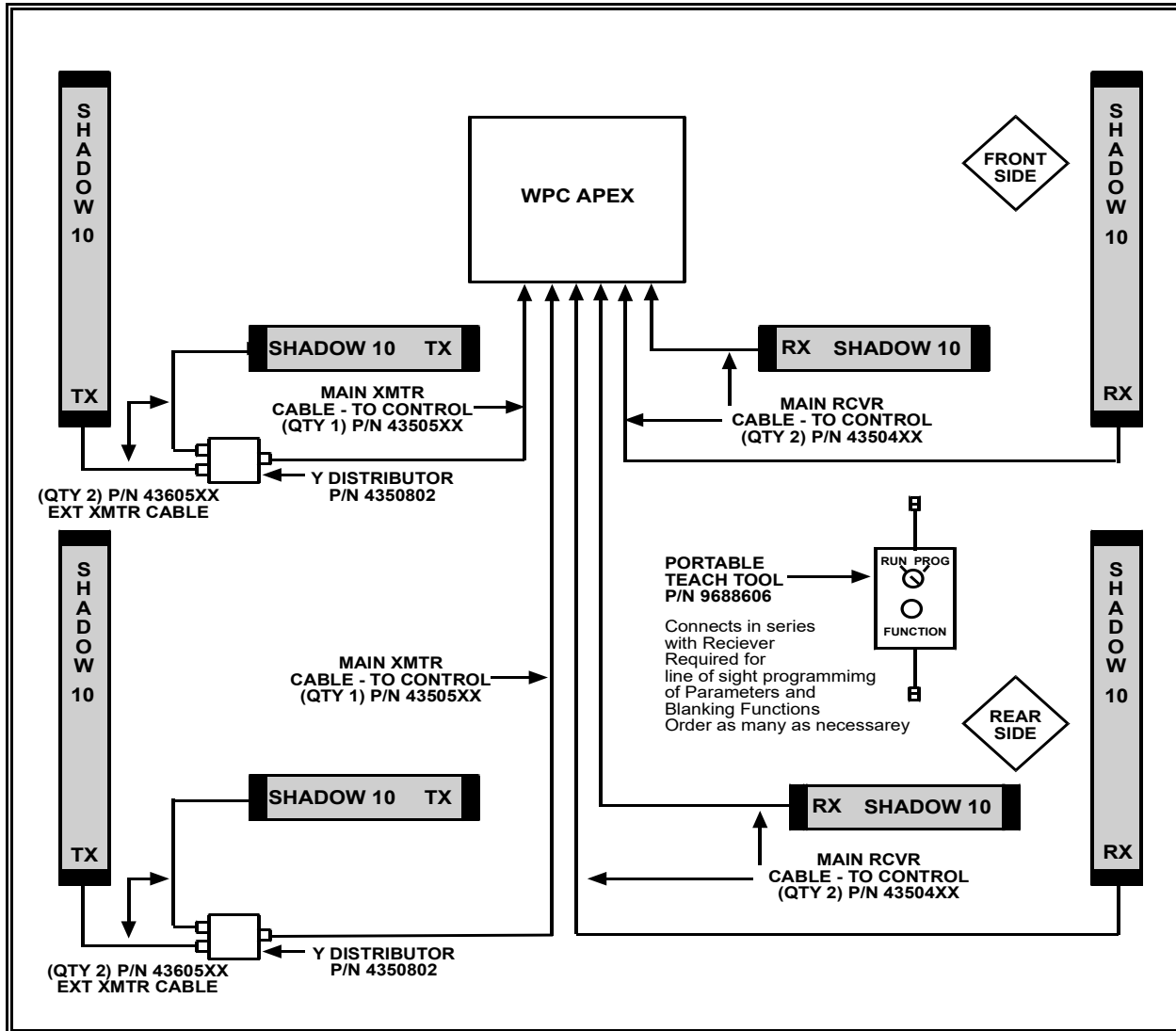
Four Sets w/Shadow 10 Control Box



Configuration Notes:		
Required System Components		
P/N	Desc	Qty
9688603	Control (24 VDC Estop)	
9688604	Control (110 VAC Estop)	
96884XX	XMTR / RCVR Set	4
43505XX	Main XMTR Cable	2
43504XX	Main RCVR Cable	4
4350802	Y DISTRIBUTOR	2
43605XX	EXT XMTR Cable	4
Optional System Components		
9688606	Portable Teach Tool	1

Shadow 10 Configurations Examples

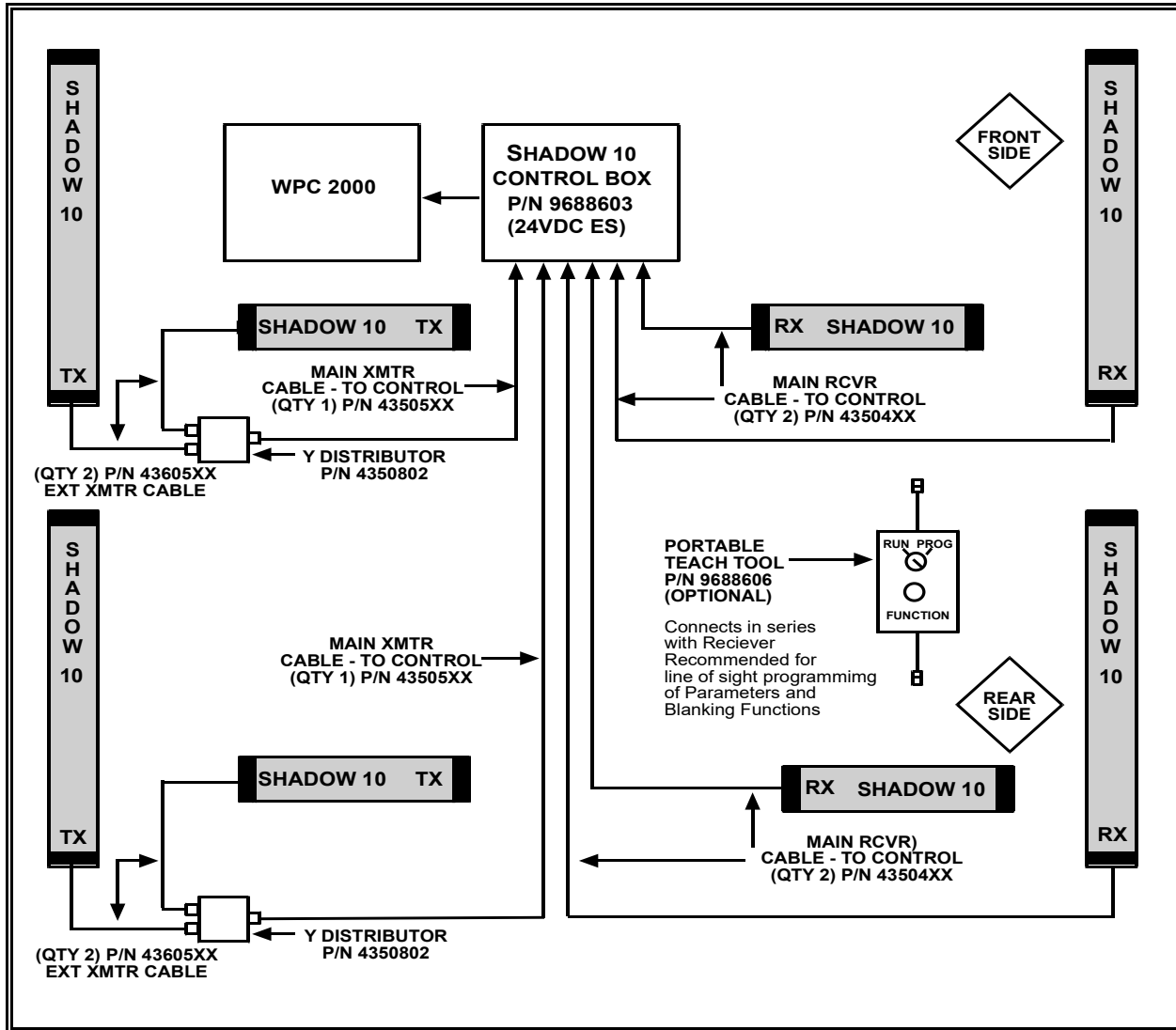
Four Sets w/WPC APEX



Configuration Notes:		
Required System Components		
P/N	Desc	Qty
96884XX	XMTR / RCVR Set	4
43505XX	Main XMTR Cable	2
43504XX	Main RCVR Cable	4
*4350802	Y DISTRIBUTOR	2
*43605XX	EXT XMTR Cable	4
9688606	Portable Teach Tool	1

Shadow 10 Configurations Examples

Four Sets w/WPC 2000



Configuration Notes:		
Required System Components		
P/N	Desc	Qty
9688603	SH 10 CTL (24VDC ES)	1
96884XX	XMTR / RCVR Set	4
43505XX	Main XMTR Cable	2
43504XX	Main RCVR Cable	4
4350802	Y DISTRIBUTOR	2
43605XX	EXT XMTR Cable	4
Optional System Components		
9688606	Portable Teach Tool	1